



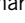
PHA 2500

**Panic Hardware
for narrow stile doors**

The DORMA PHA 2500 panic hardware system.




Innovative, advanced hardware system for emergency exits.


With its PHA 2500 system, DORMA is able to offer a high-quality panic exit device on the basis of an integrated emergency escape lock for single- and double-leaf doors. The system is certified according to EN 1125 and carries the  mark and is ideal for narrow stile doors in emergency exits in which safety, security, reliability and aesthetic elegance are a must. This Panic Hardware system constitutes a further building block in the DORMA product portfolio for the safe

control of emergency escape routes. It satisfies in full the demands placed on emergency exit devices used in public facilities such as hospitals, universities and schools, concert halls, shopping malls, hotels and administrative buildings. With this series, moreover, the external fitting can be provided in form of a DORMA Premium project door furniture to EN 1906, EN 1634-1 and DIN 18273.

Approval certification

The panic exit devices in the DORMA PHA 2500 series are tested and certified to EN 1125. All products comply with the requirements of Annex ZA to EN 1125 and thus qualify to carry the  mark of conformity. Additional approval certification of the relevant fire and smoke control doors may be necessary – check local regulations.



Additional information can be retrieved on many of DORMA's products at www.dorma.com. The abbreviated designations next to the computer symbol  symbol indicate the search terms to be applied in each case.



reddot design award
winner 2006



DESIGNPREIS
2007
NOMINIERT

Contents

	Page
DORMA PHA 2500 for narrow stile doors	
Features and functions	4
Dimensions (single-leaf door)	6
Dimensions (double-leaf door)	8
Dimensions (double-leaf door) with electric strike	10
Applications and installation (single-leaf door)	12
Applications and installation (single-leaf door) with electric strike	14
Applications and installation (double-leaf door)	16
Applications and installation (double-leaf door) with electric strike	18
Applications and installation U-forend, latch and bolt 5 mm protruding	22
Components (single-leaf door)	24
Components (double-leaf door)	26
Lock functions	32
Application notes	34
Lever handle fittings	35
Electric Strikes	36

Practical panic hardware – ideal exit devices for narrow-stile doors.

With its series PHA 2500 (touch bar), the DORMA Premium project door furnishings and corresponding complementary accessories, DORMA is able to offer a high-performance panic hardware system ideal for both internal and external narrow-stile doors. The integrated mortise panic/emergency escape lock

with 20 mm bolt projection enables the door to be engaged by both latch and bolt. The lock case with electric strike at the inactive door is available with backset of 35 mm, this enables the usage on narrow stile doors with small profiles.

The benefits at a glance

For the trade

- Certified system in one complete pack.
- One actuation touch bar for all door widths.
- Suitable for use in conjunction with stock DORMA Premium project door furnishings.
- Further accessories available for individual applications.

For the architect/specifier

- High-quality appearance with no visible fixing screws.
- Projection from face according to EN 1125.
- Certified system compliant with Euronorm standard.
- All DORMA Premium project door furnishings

compliant with EN 1906, EN 1634-1 and DIN 18273 can be used.

For the fabricator/installer

- Full range of expertise from a single source.
- Easy to install.
- Readily adaptable to different door widths and heights.
- Excellent range of accessories.

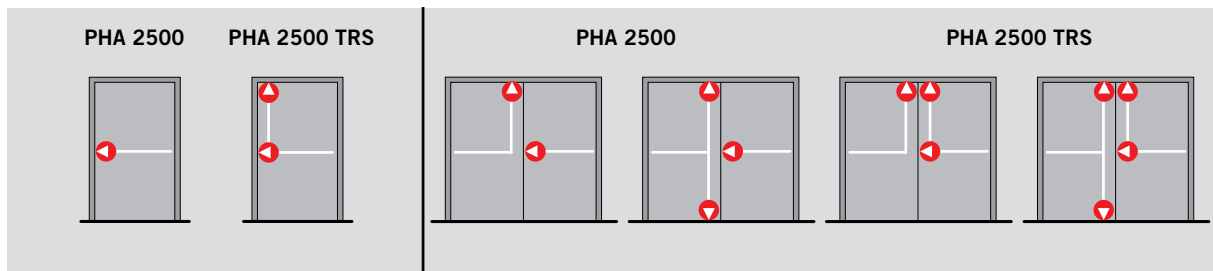
For the user

- Optimum safety – even under pre-load, the door can be opened from anywhere across its full width.
- Single-source supply for a full range of customer services.

Data and features	PHA Serie 2500	
	single-leaf door	double-leaf door
Standard doors in emergency escape routes	●	●
Fire and smoke control doors	●	●
Door width	≤ 1300 mm (1600 mm) ¹⁾ ≤ 2600 mm (3200 mm) ¹⁾	●
Door height	≤ 2500 mm (3500 mm) ¹⁾	●
Max. door leaf weight in kg ¹⁾	250	250
Handling	DIN-R DIN-L	● ●
Projection from face ≤ 100 mm	●	●
Narrow stile locks	●	●
Backset (mm)	35/40/45	35/40/45
Europrofile cylinder centres (mm)	92	92
Bolt projection 20 mm	●	●
Europrofile cylinder to DIN 18252	●	●
Suitability for use of an electronic EP cylinder	○	○
Lock functions: Transit/Transmission/Change-over	●/●/●	●/●/●
Controlled Latch Retainer (in conjunction with lock function Transmission)	○	○
Forend width (mm)	24	24
U-Forend, Backset 34/39/44 mm	○	○
Locking rod with spring loaded latch lock (active leaf)	○	○
Locking rod with switching lock (inactive leaf)	–	●
Electric strike Smoke, Fire 447	○	–
Lock case at the inactive leaf with traction lock (Locking rod at the bottom is manipulation safe)	–	●
Lock case at the inactive leaf with electric strike, 10-28V AC/DC, incl. monitor contact and connection cable (10 m) with plug connection, Backset 35/40/45/50/55/60/65 mm	–	○
External fitting (Premium project door furnishings)	○	○
Tested and certified to EN 1125:2008	●	●
CE mark for construction projects	●	●
ISO 9000	●	●

● = yes – = no ○ = option

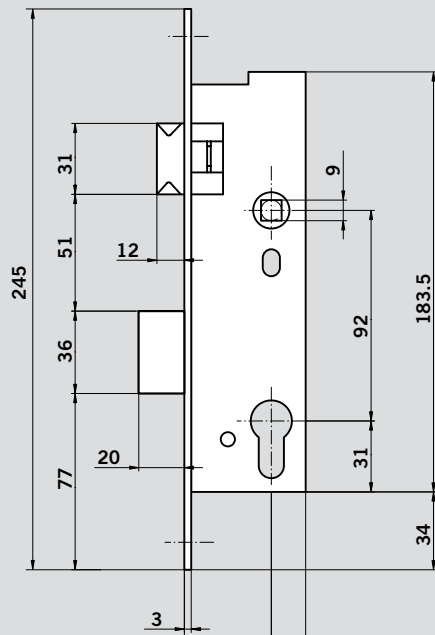
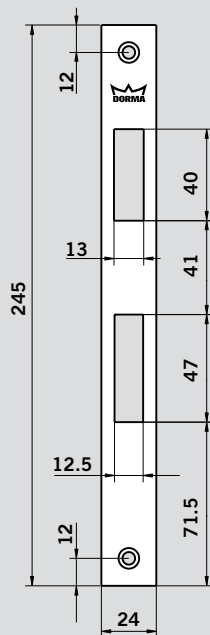
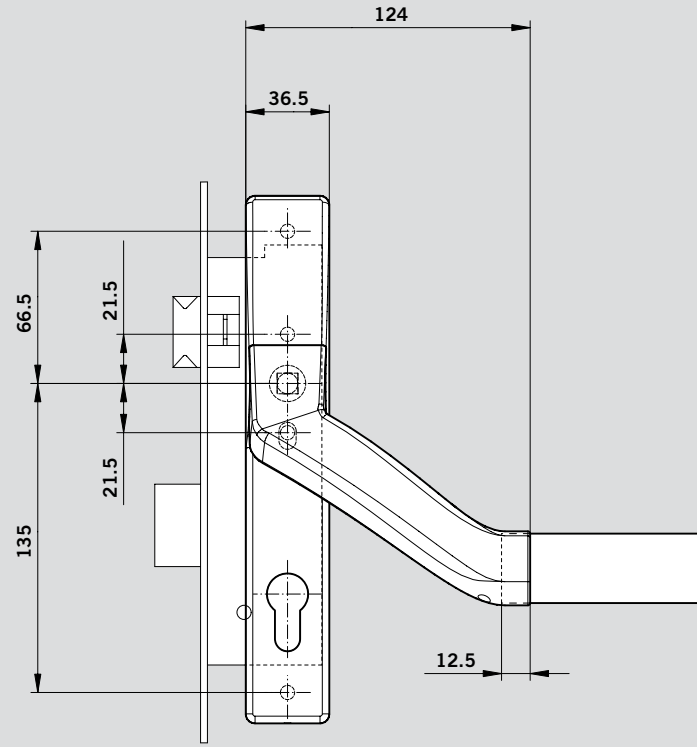
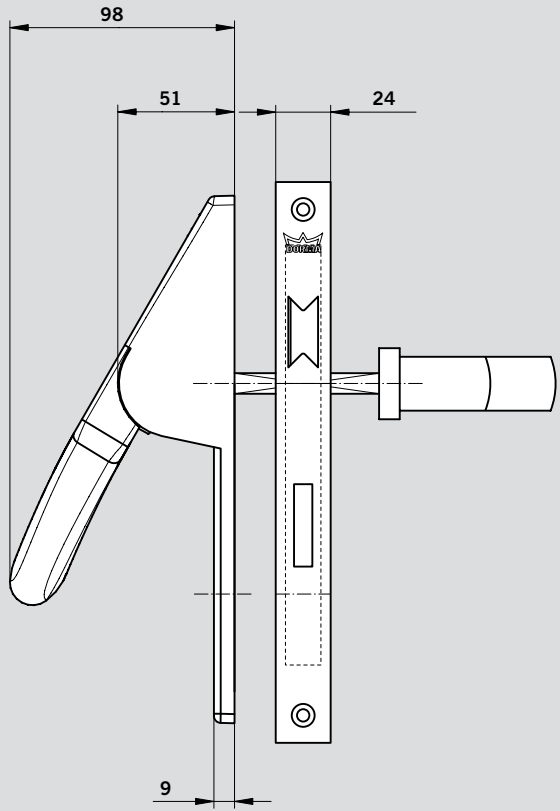
¹⁾Maximum door width/height/weight according to EC declaration of conformity.
Appropriate connecting rods and locking rods on request



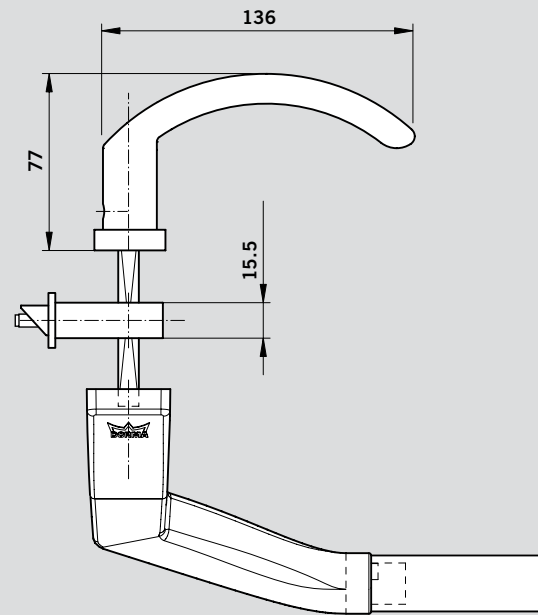
Panic Hardware system PHA 2500

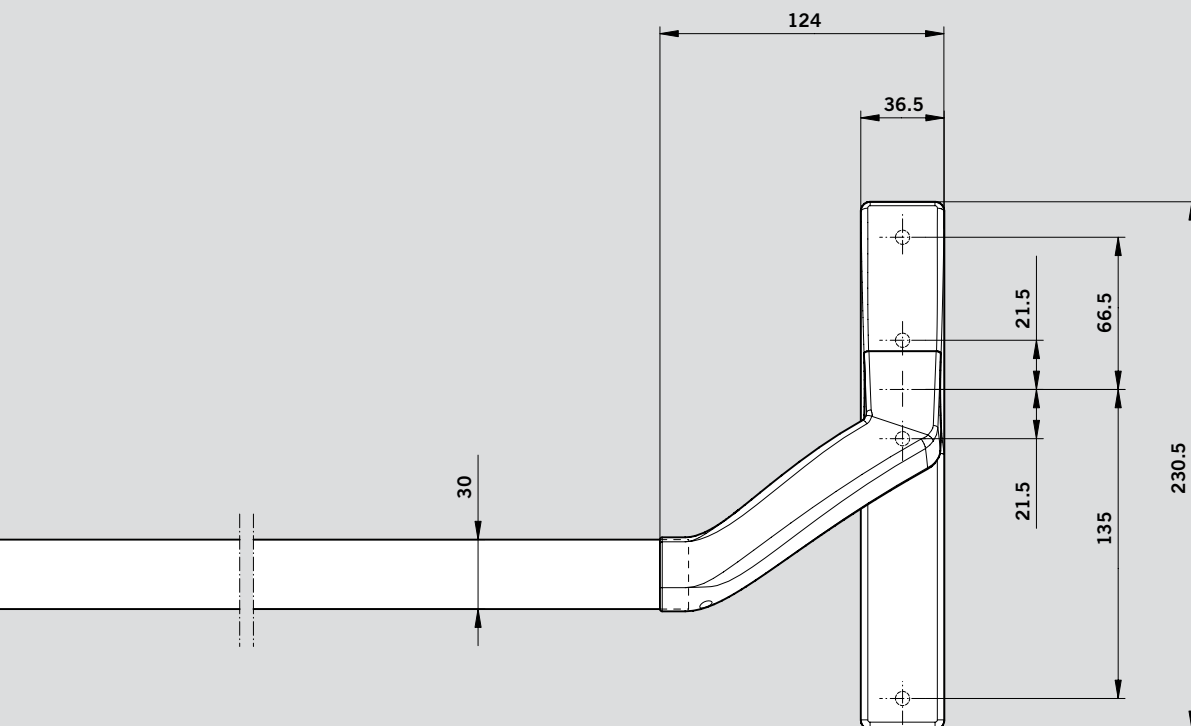
<p>1-point locking</p>	<p>Inactive leaf</p> <p>1-point locking</p>	<p>Active leaf</p> <p>1-point locking</p>
<p>Premium project door furnitures</p>	<p>Premium project door furnitures</p>	<p>Premium project door furnitures</p>
<p>2-point locking</p> <p>+</p>	<p>2-point locking</p> <p>+</p>	<p>2-point locking</p> <p>+</p>

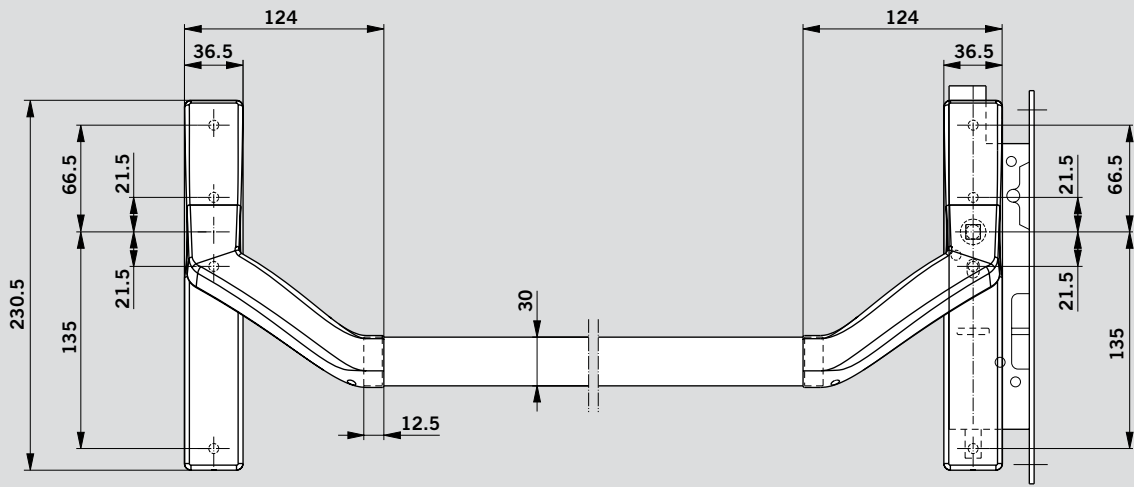
with electric strike



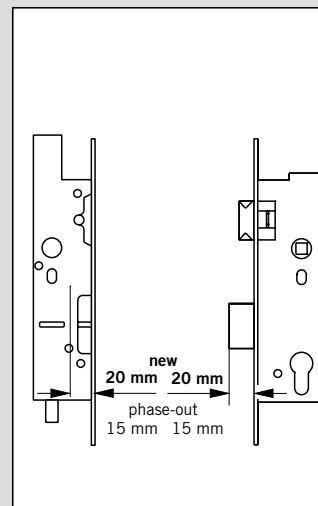
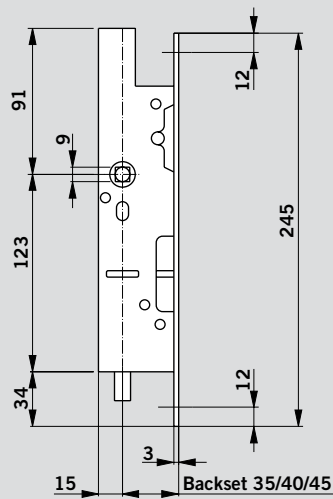
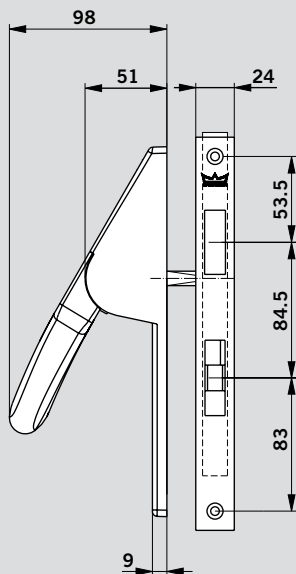
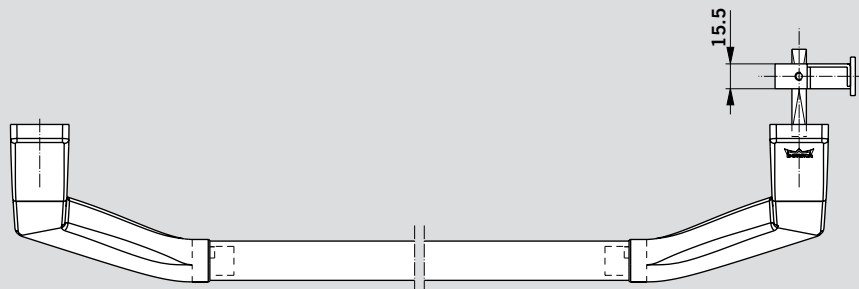
Backset 35/40/45 15

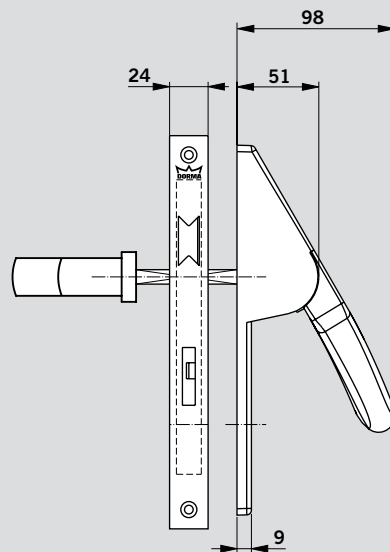
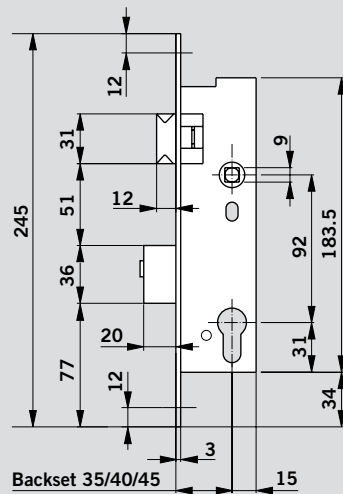
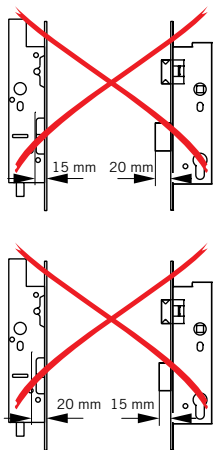
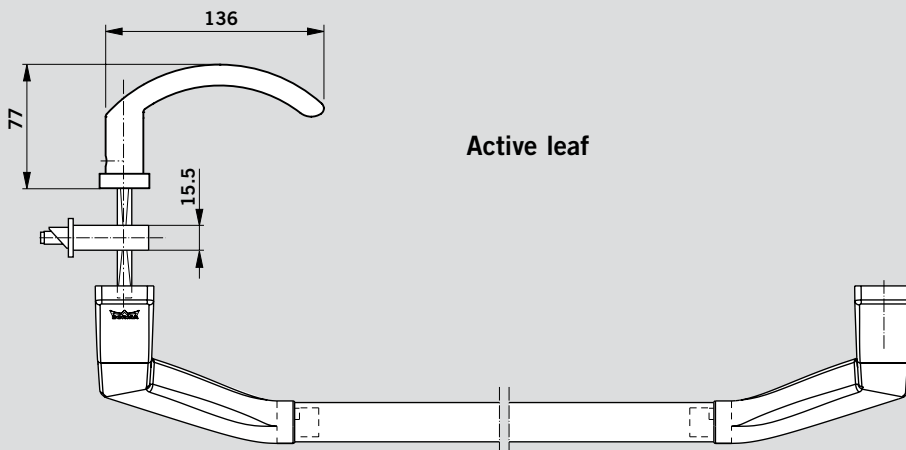
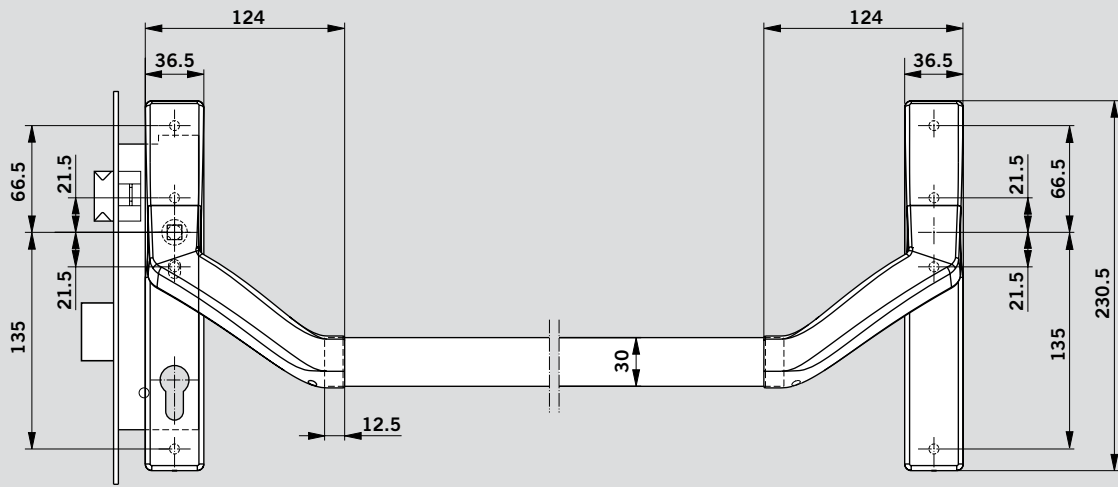


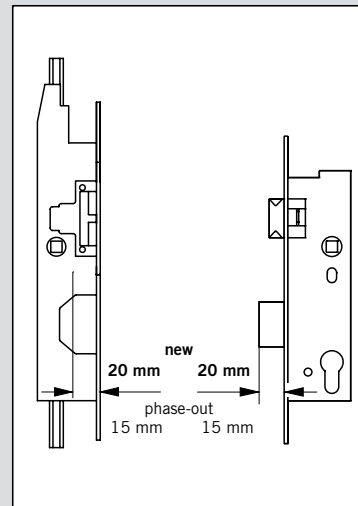
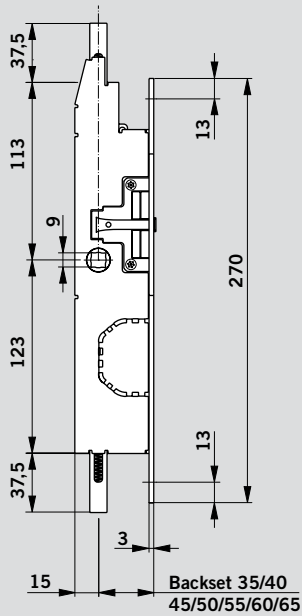
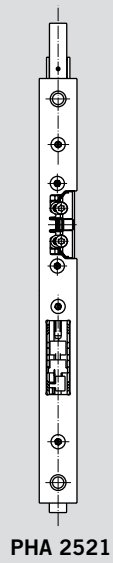
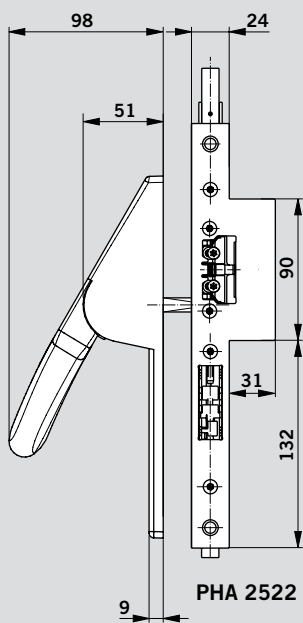
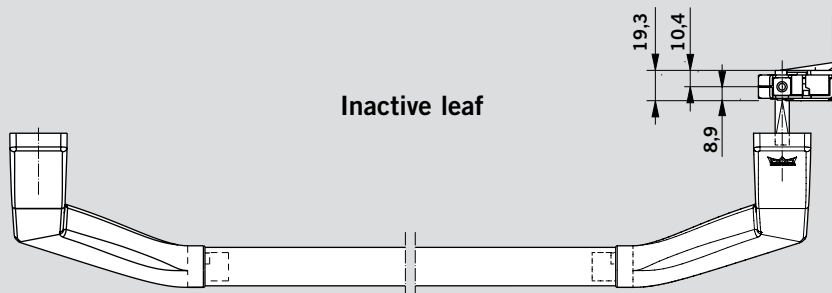
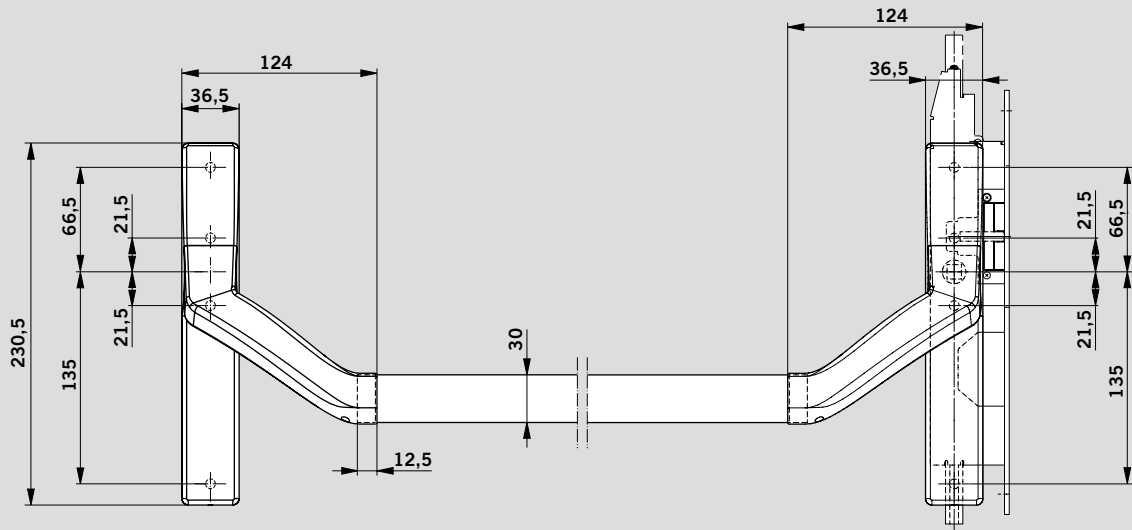


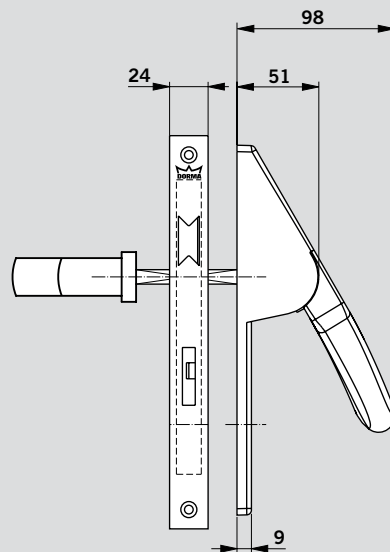
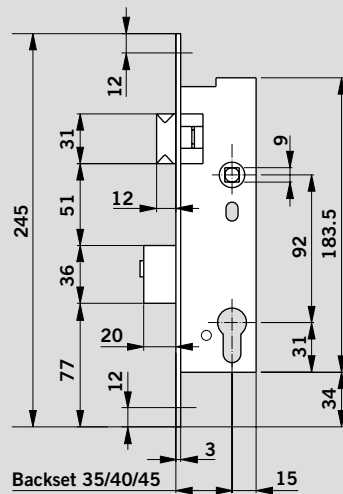
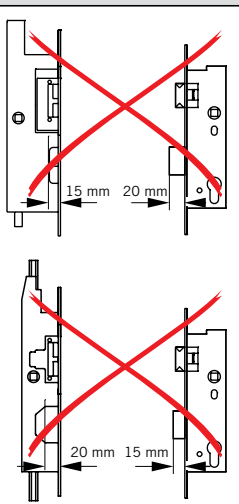
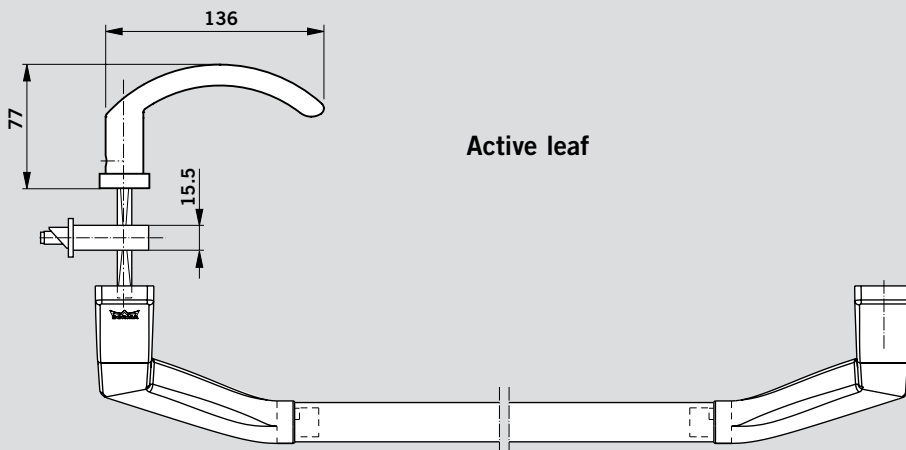
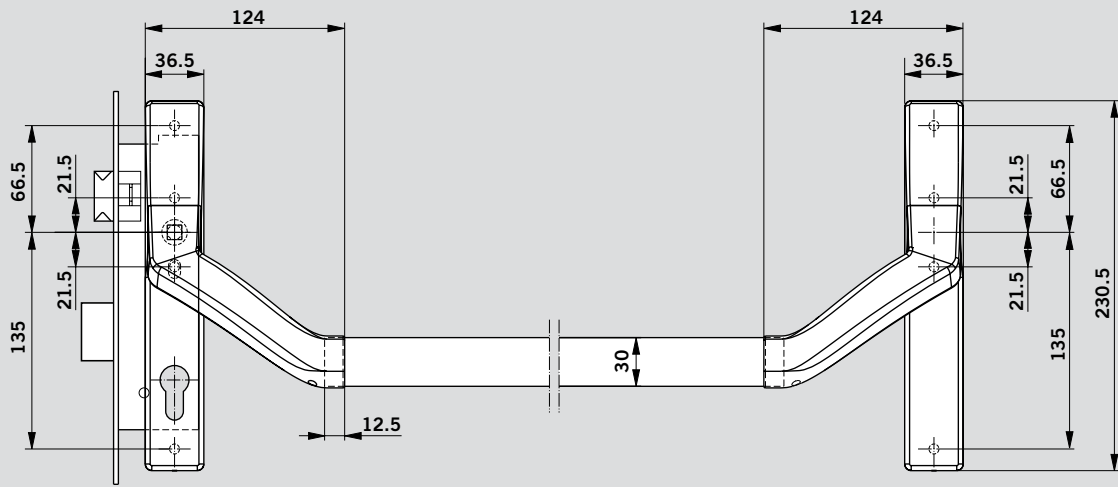


Inactive leaf

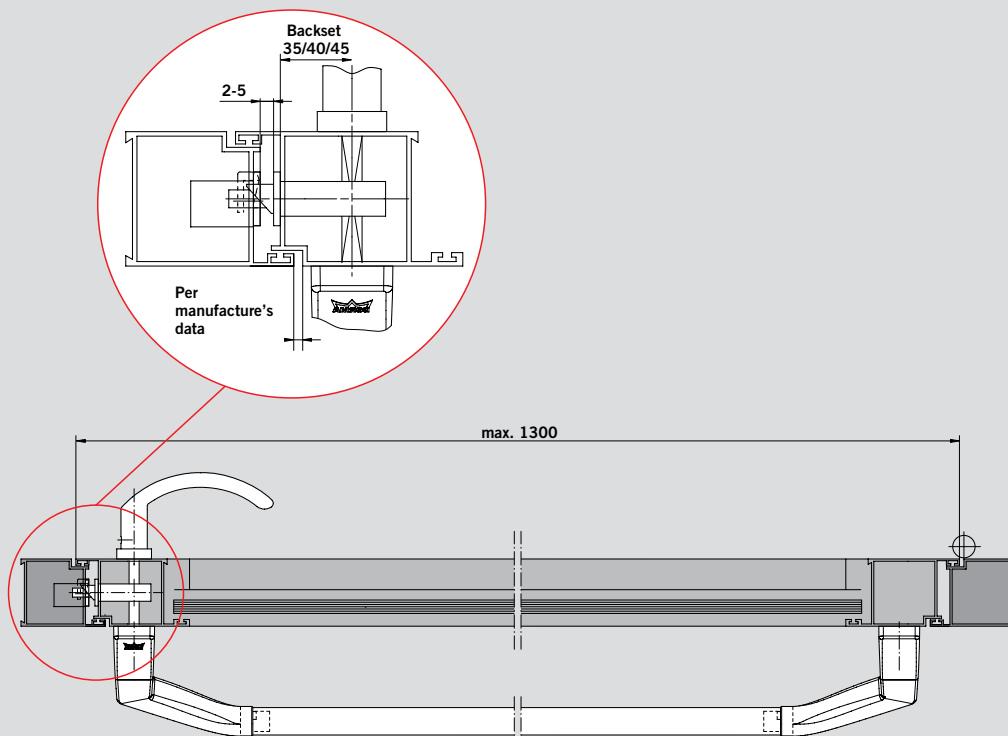






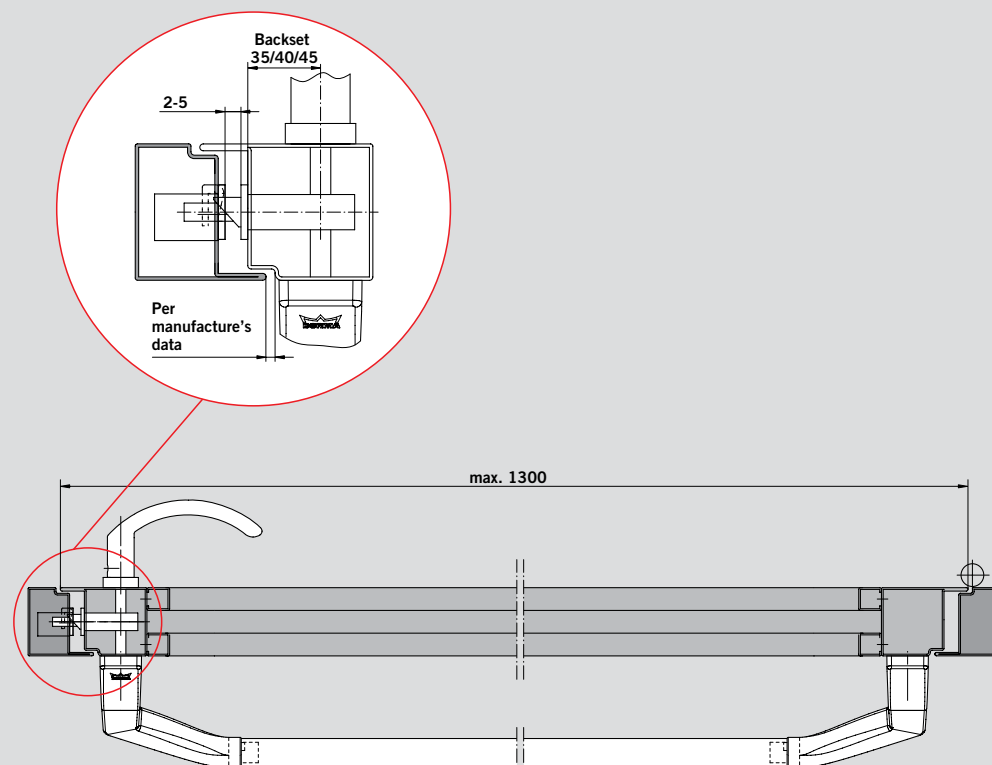


Horizontal locking, aluminium door



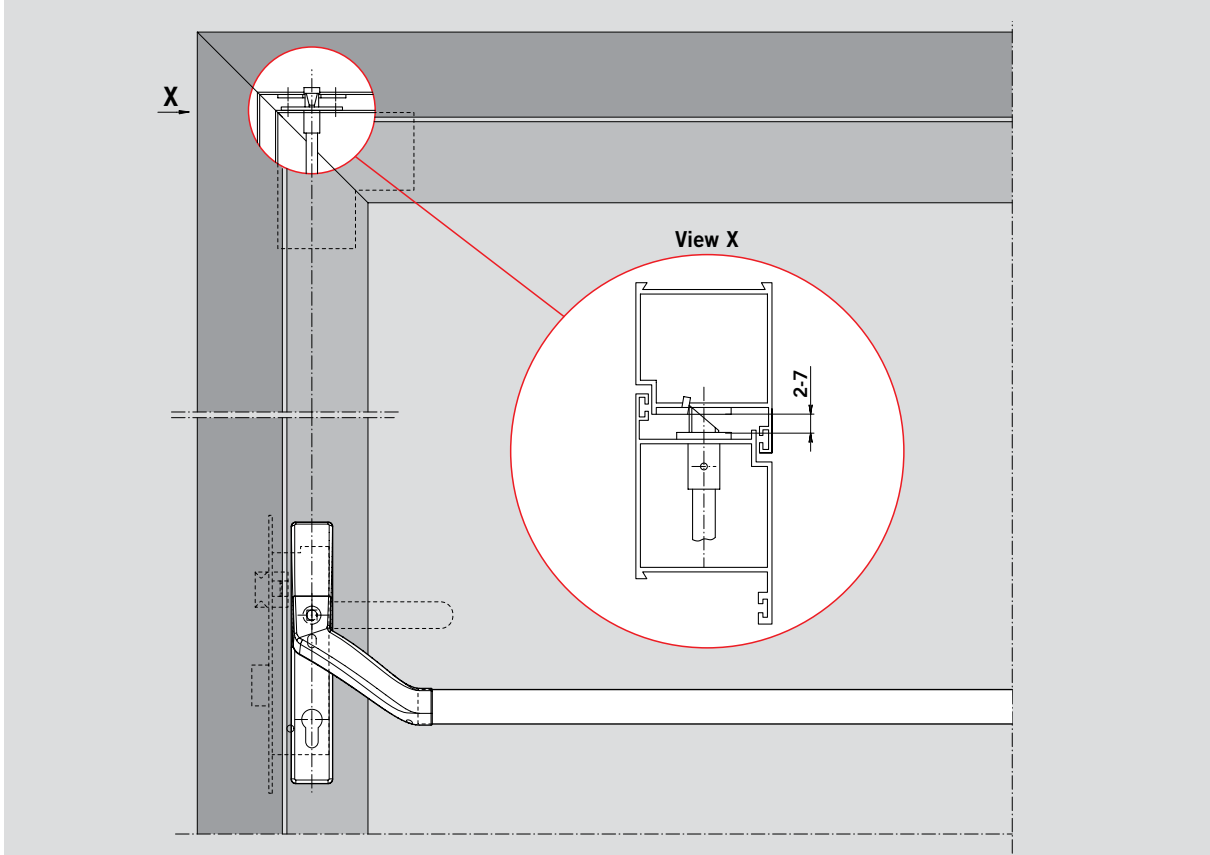
Note advisory on page 34

Horizontal locking, steel door

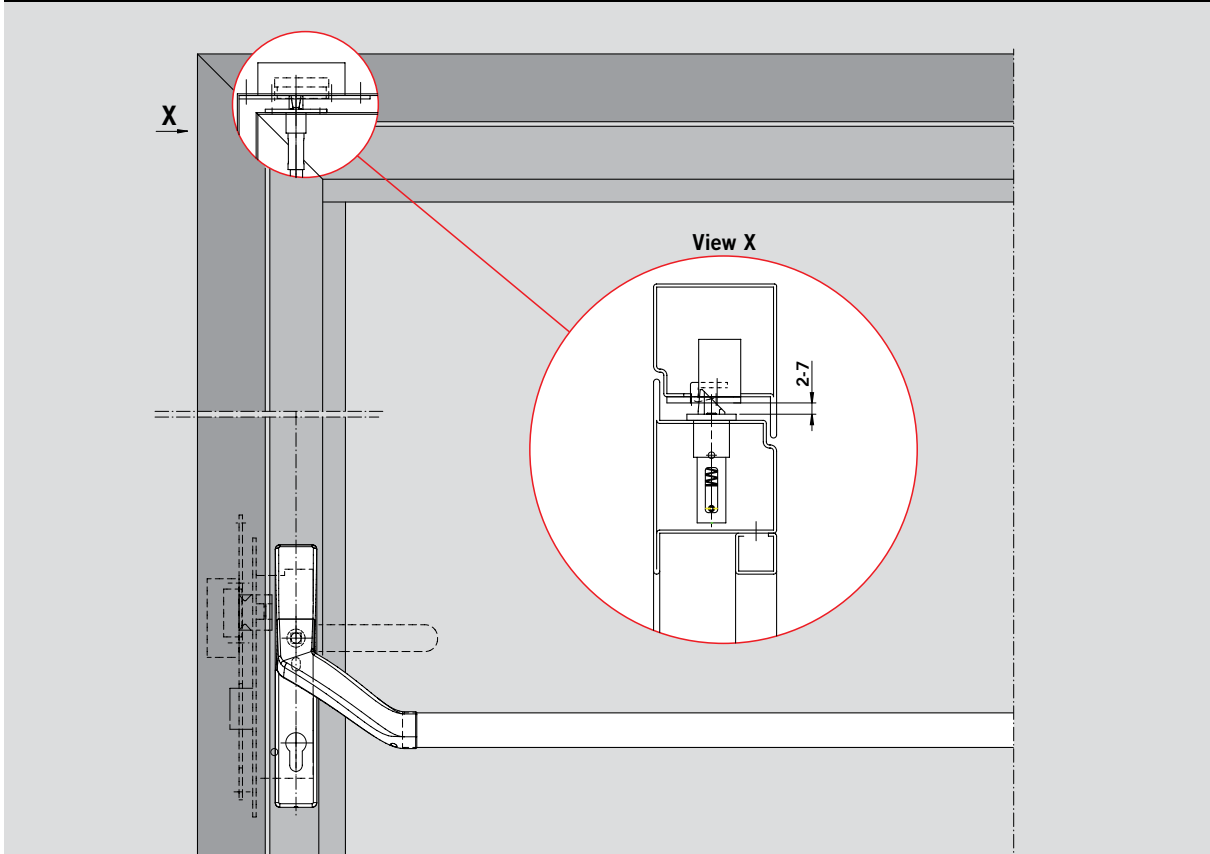


Note advisory on page 34

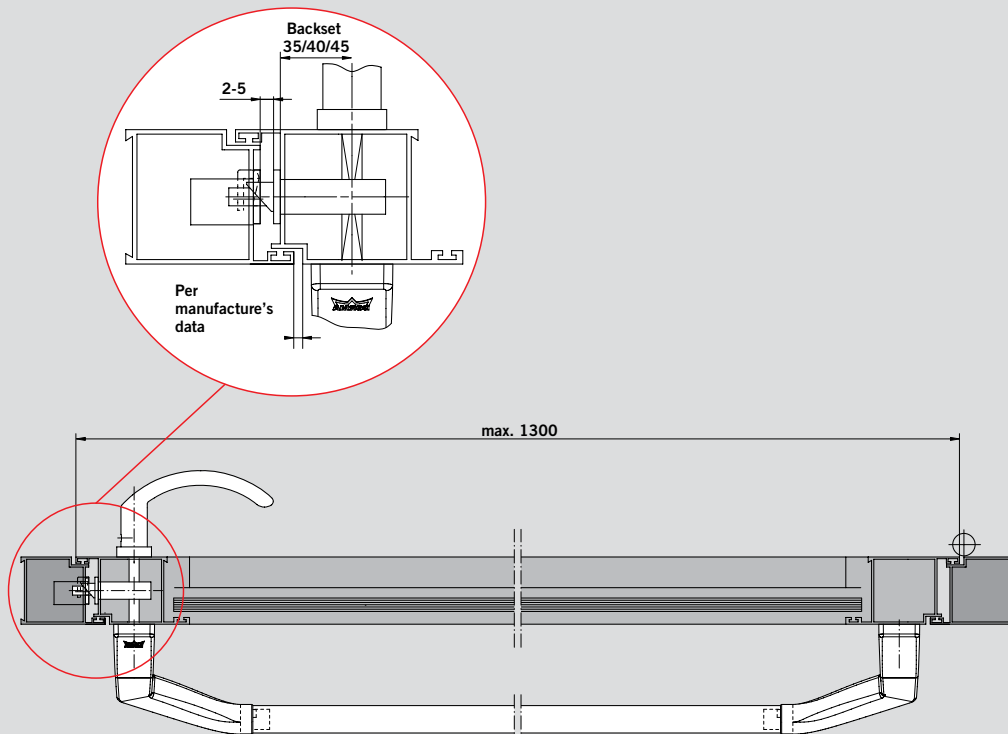
Vertical locking, aluminium door



Vertical locking, steel door

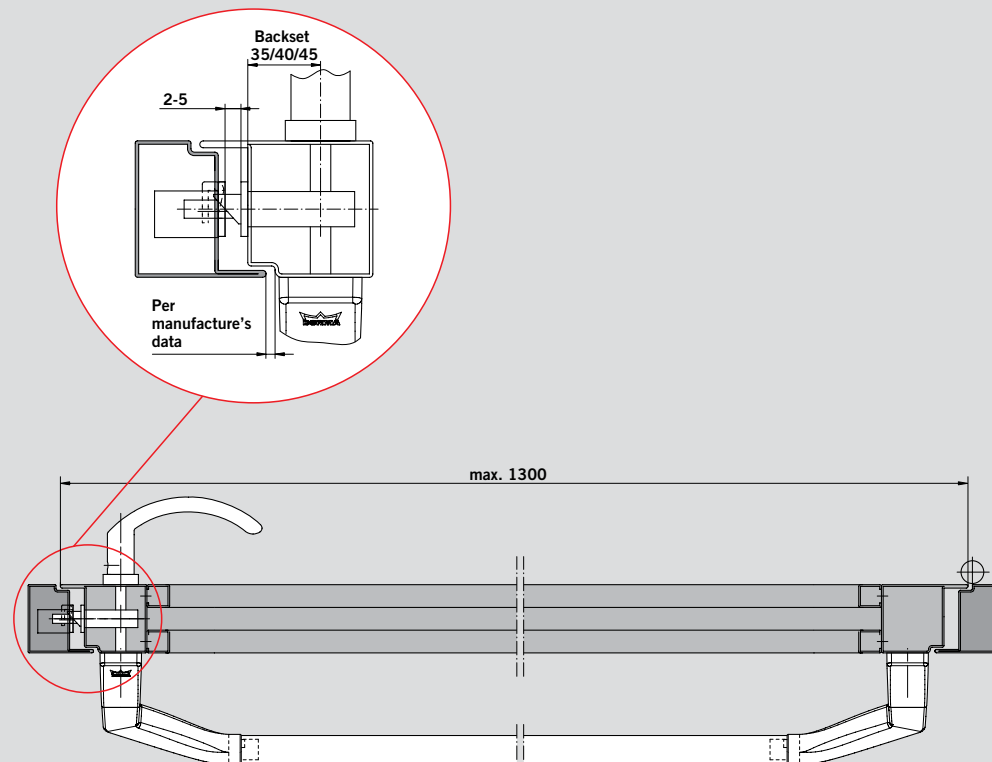


Horizontal locking with electric strike, aluminium door



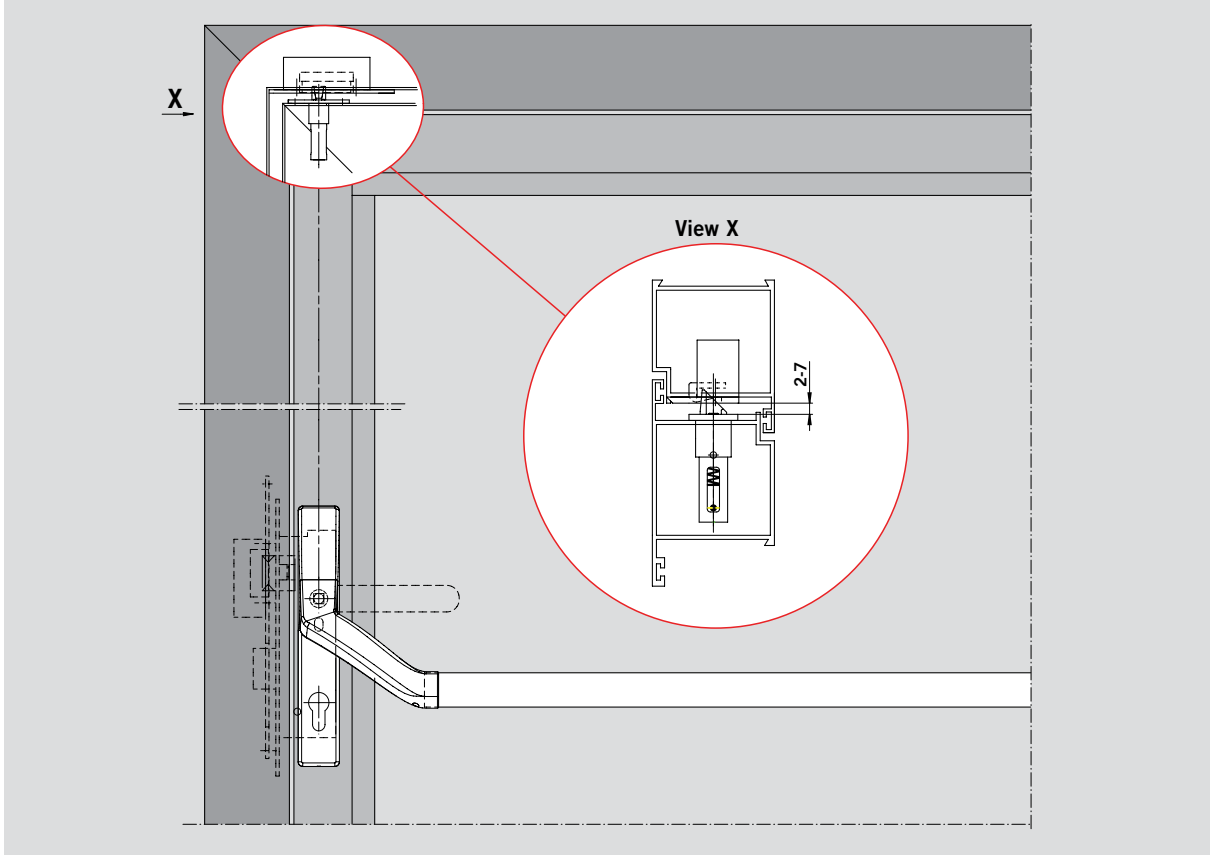
Note advisory on page 34

Horizontal locking with electric strike, steel door

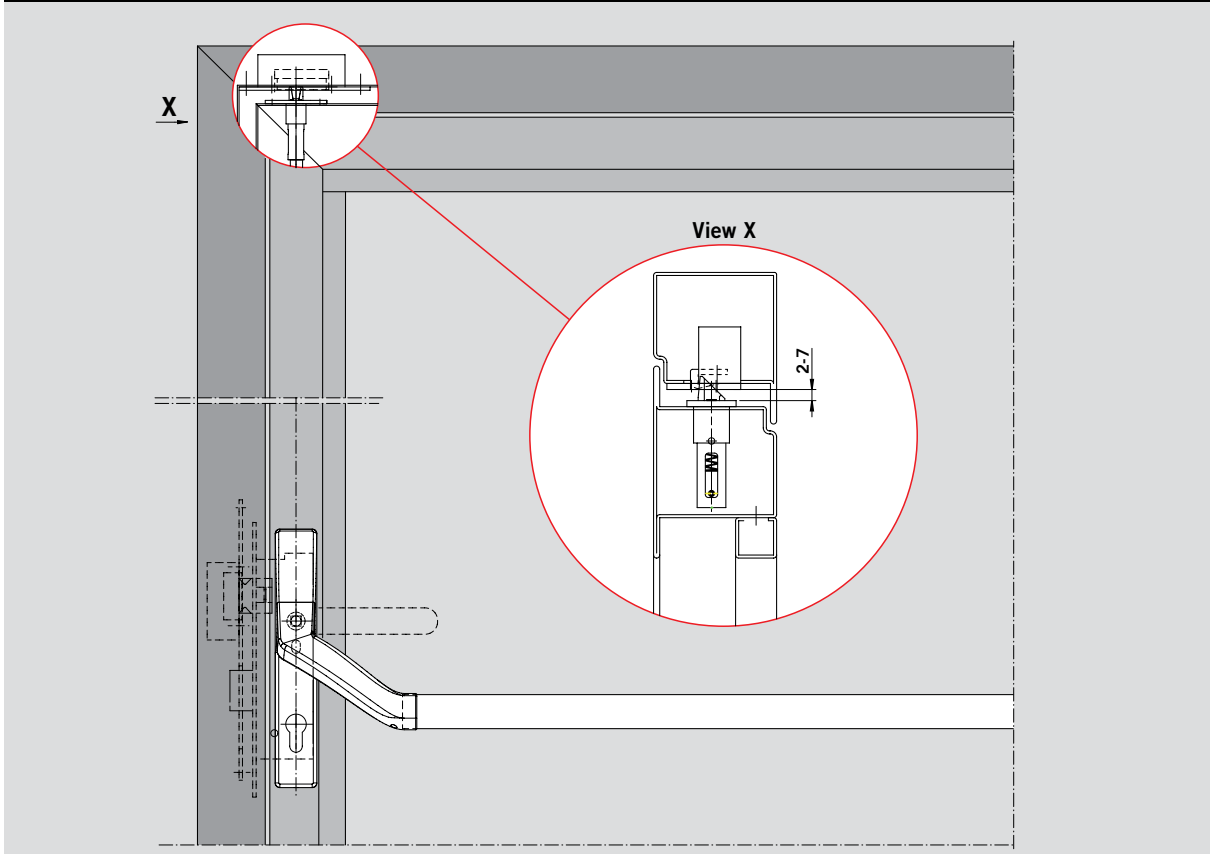


Note advisory on page 34

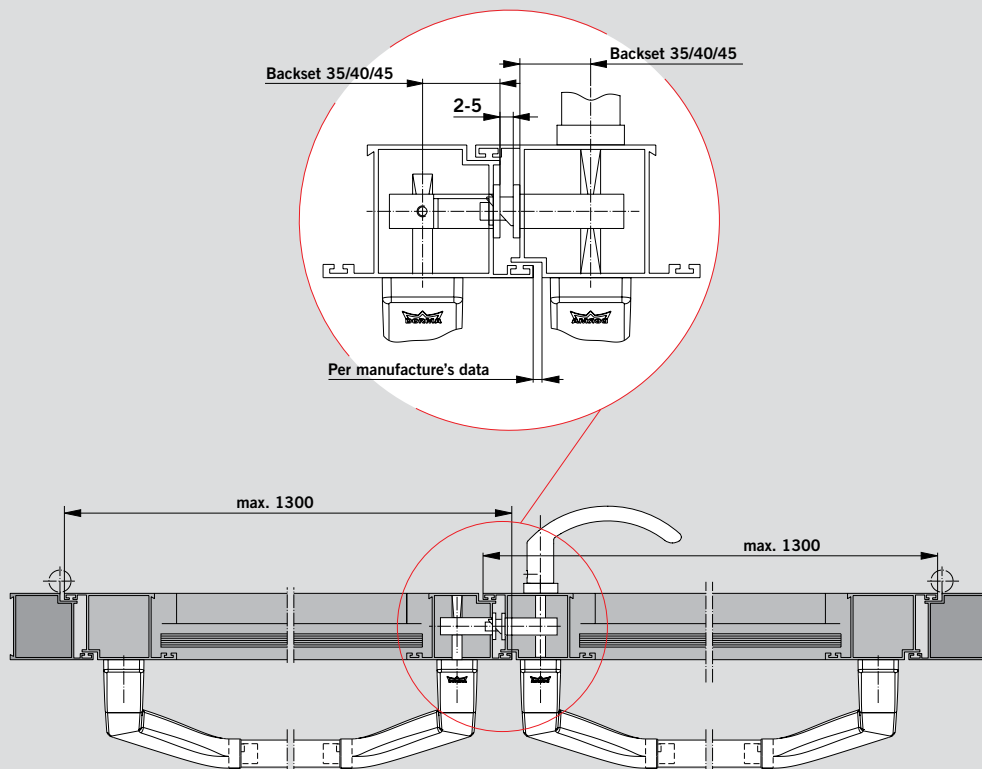
Vertical locking with electric strike, aluminium door



Vertical locking with electric strike, steel door

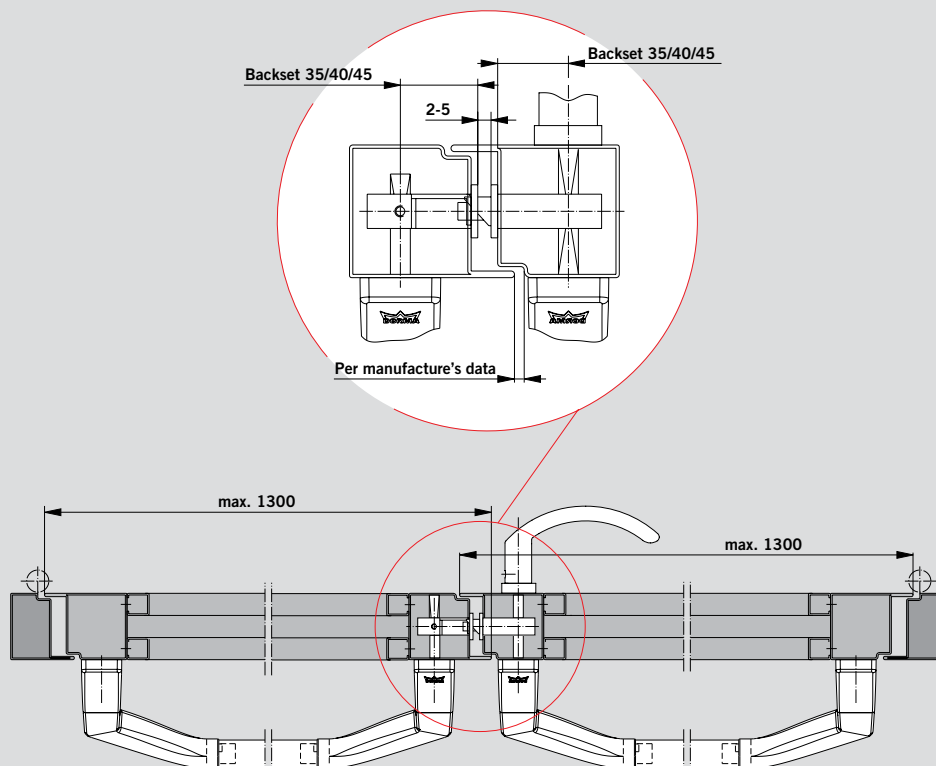


Horizontal locking, aluminium door



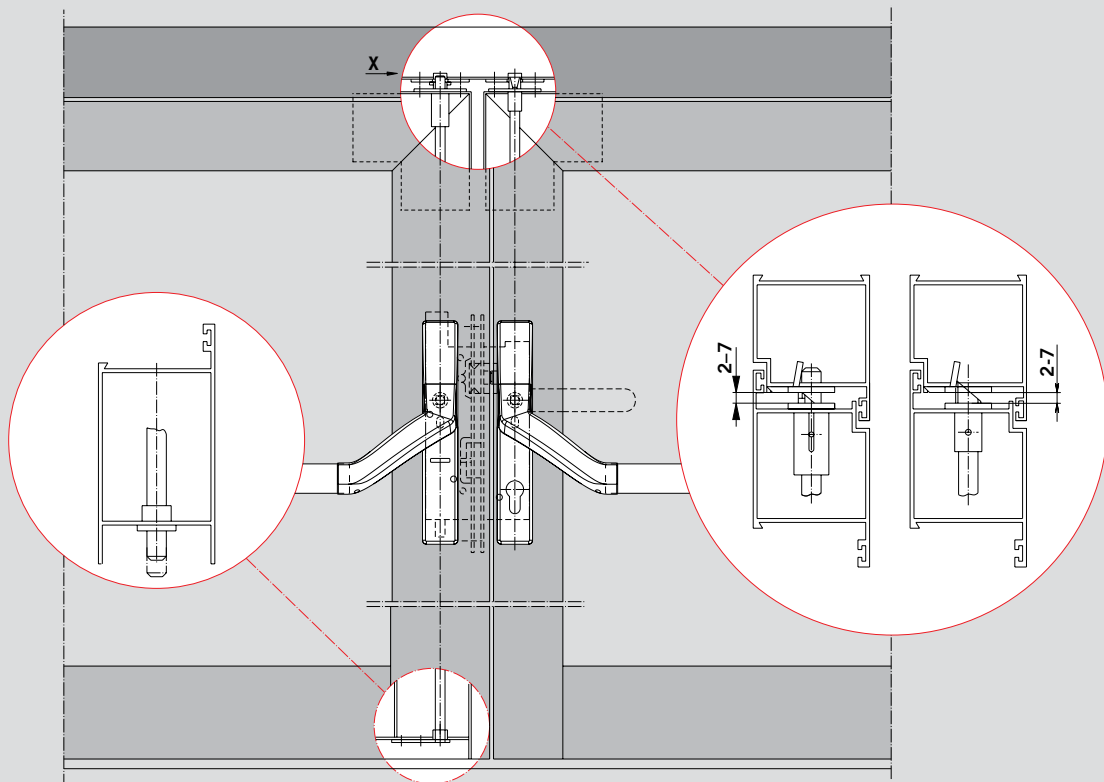
Note advisory on page 28

Horizontal locking, steel door



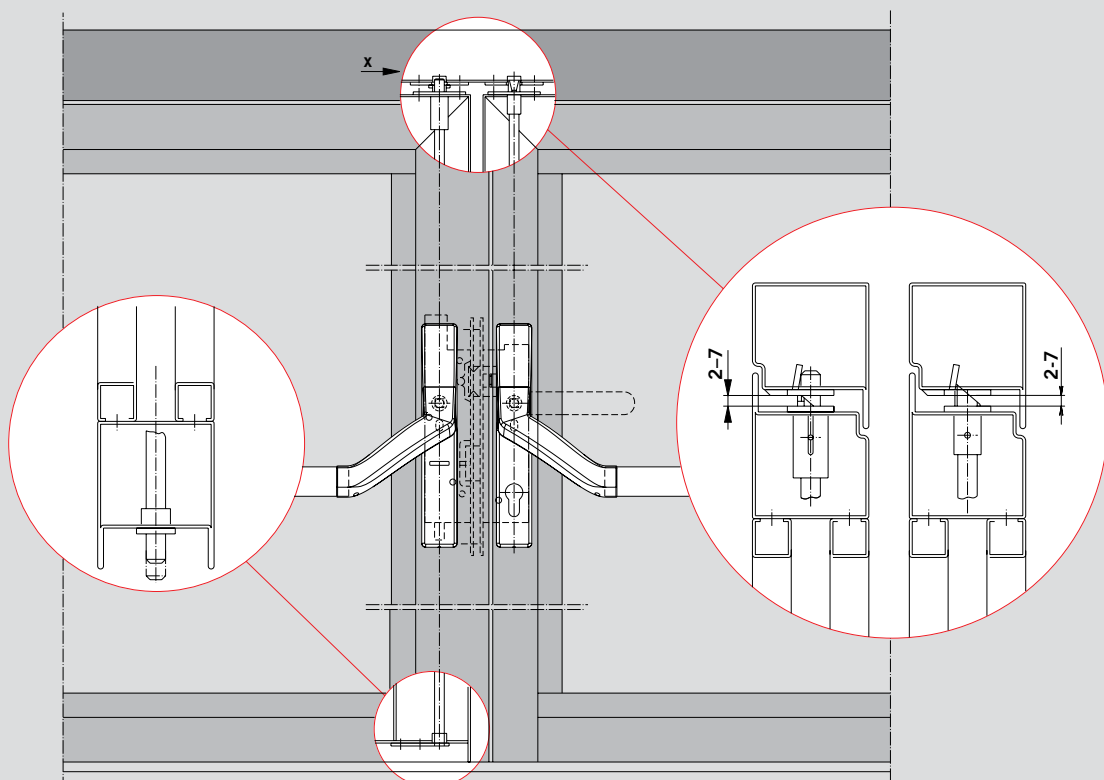
Note advisory on page 28

Vertical locking, aluminium door



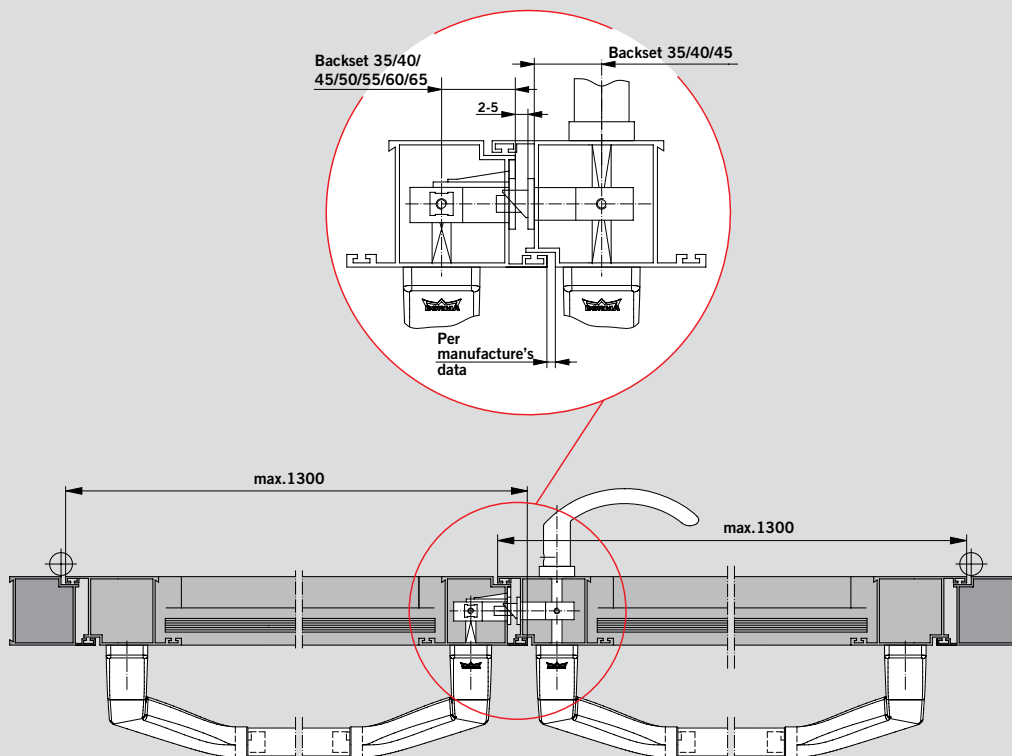
For panic exit devices according to EN 1125 a floor keep is necessary (see page 24)

Vertical locking, steel door



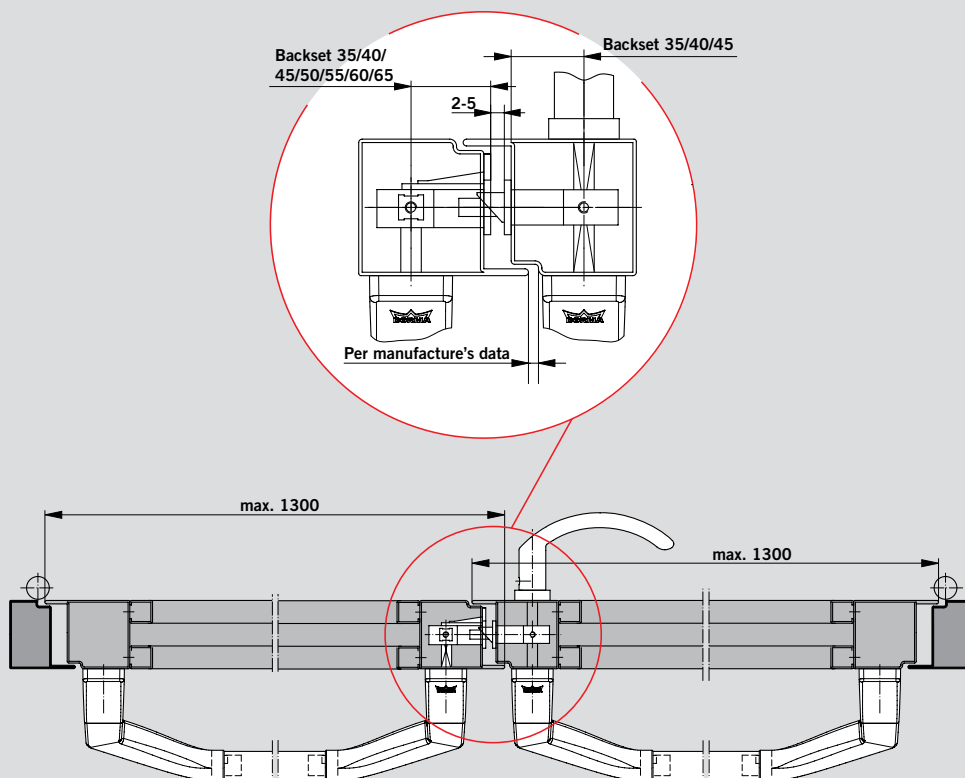
For panic exit devices according to EN 1125 a floor keep is necessary (see page 24)

Horizontal locking with electric strike, aluminium door



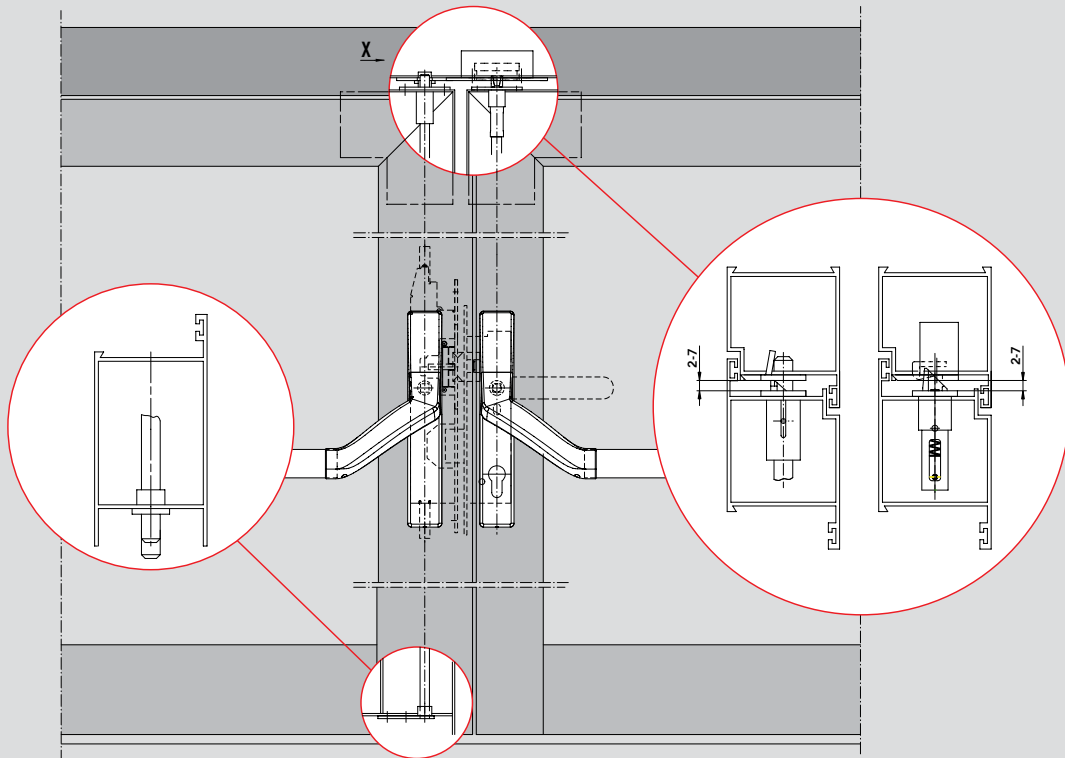
Note advisory on page 34

Horizontal locking with electric strike, steel door



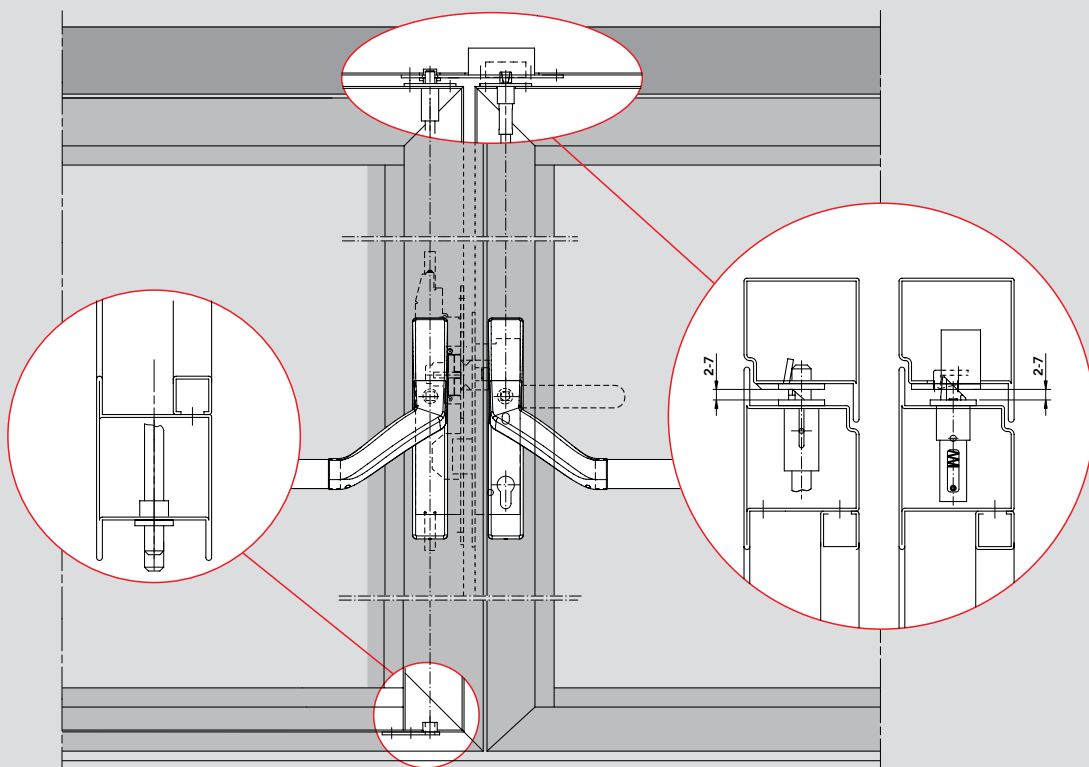
Note advisory on page 34

Vertical locking with electric strike at the active door, aluminium door



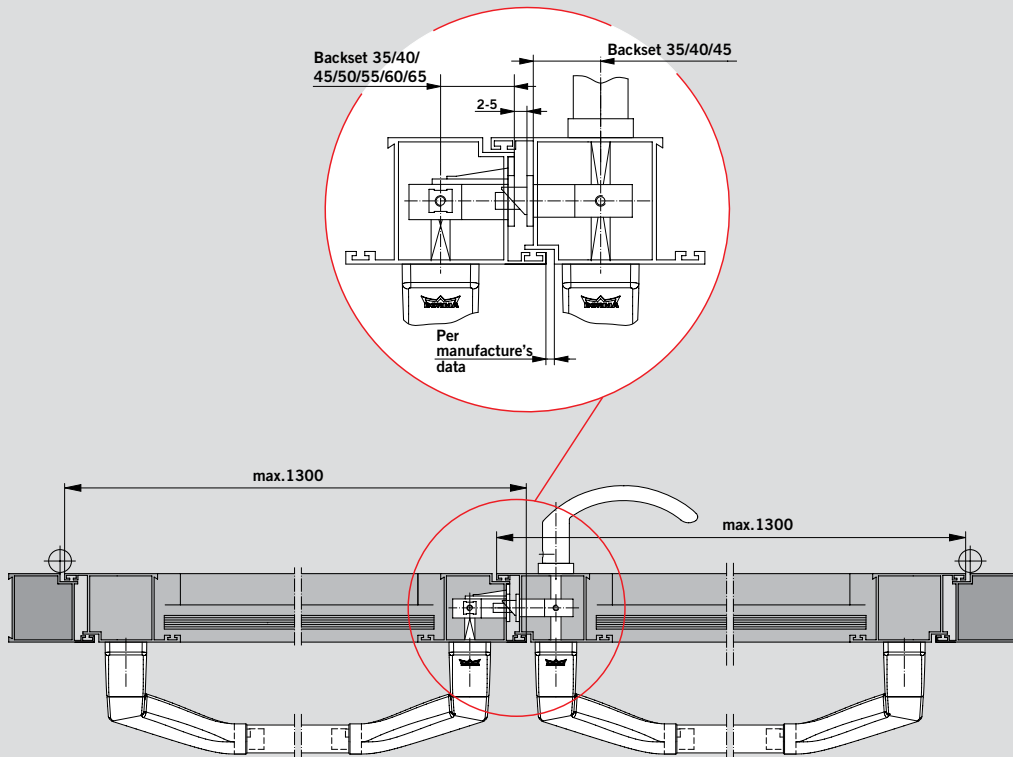
For panic exit devices according to EN 1125 a floor keep is necessary (see page 28)

Vertical locking with electric strike at the active door, steel door



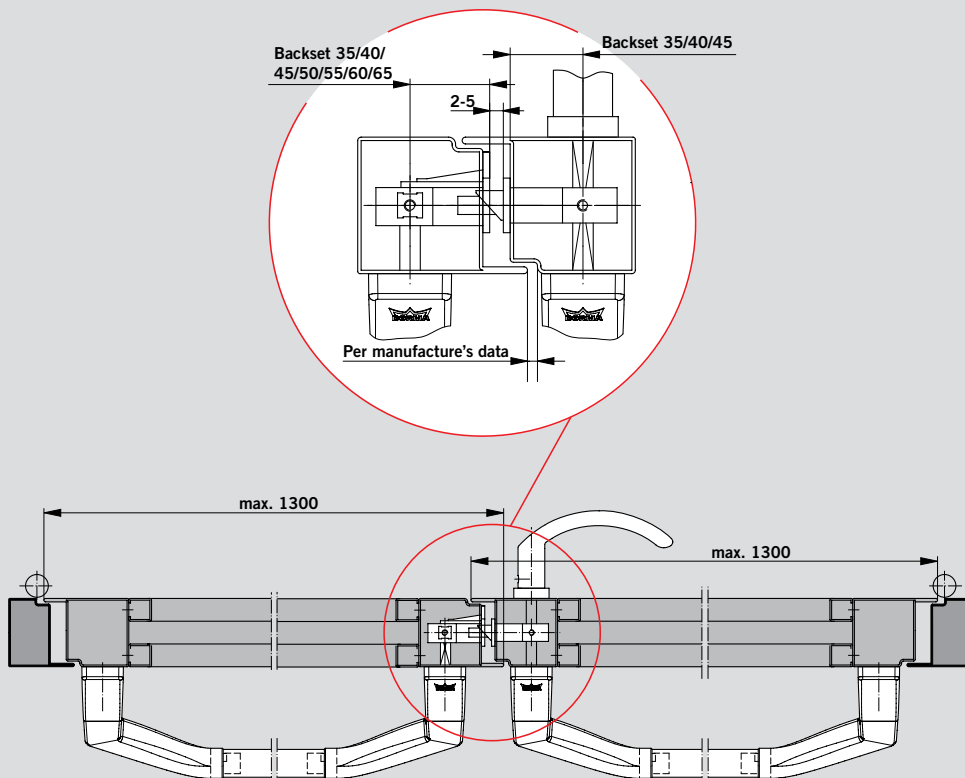
For panic exit devices according to EN 1125 a floor keep is necessary (see page 28)

Horizontal locking with electric strike, aluminium door



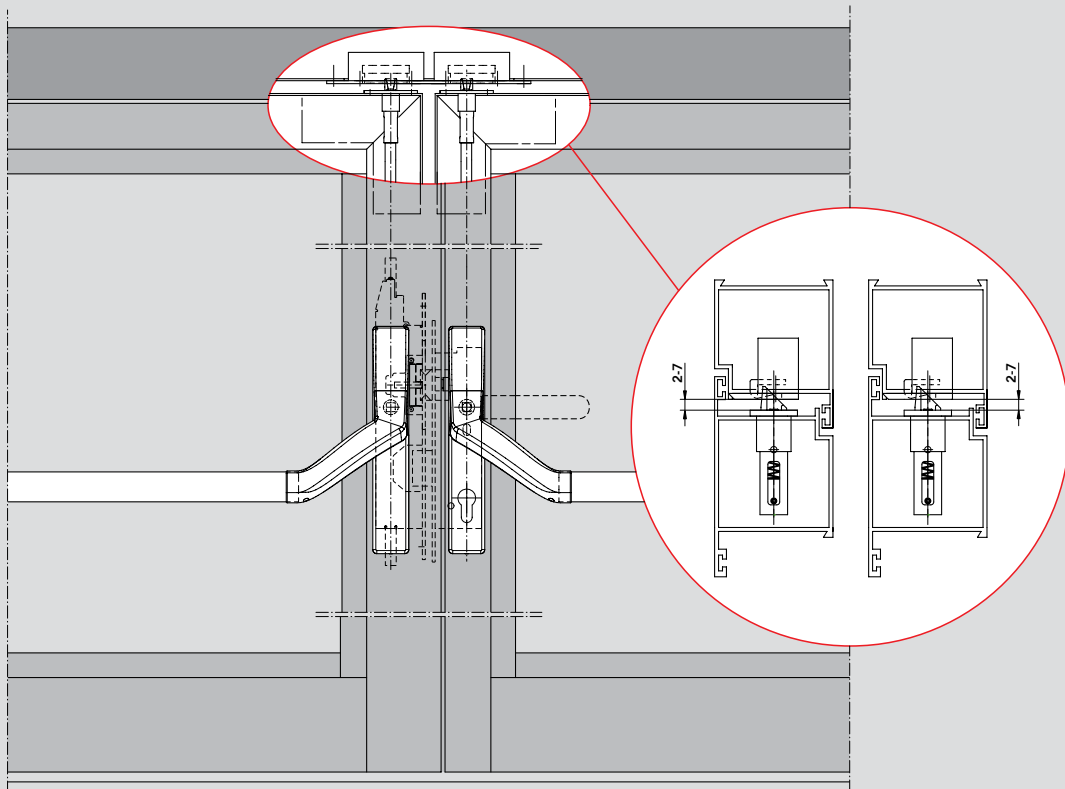
Note advisory on page 34

Horizontal locking with electric strike, steel door



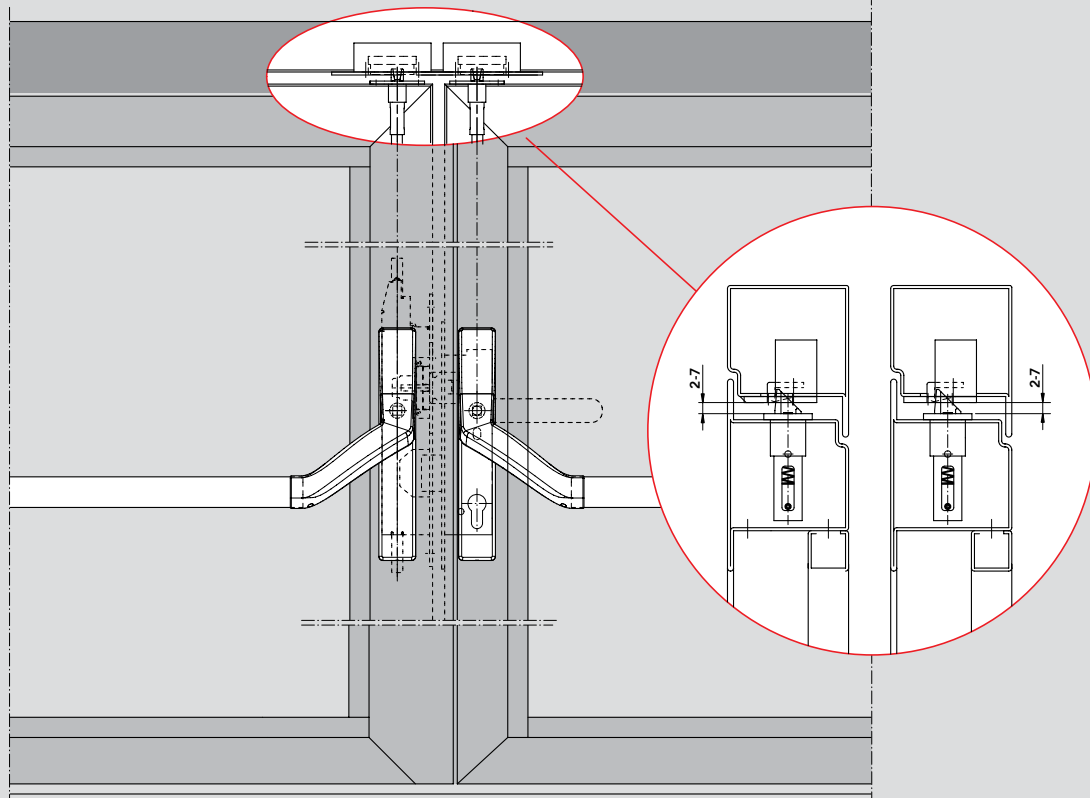
Note advisory on page 34

Vertical locking with electric strike at the active and inactive door, aluminium door



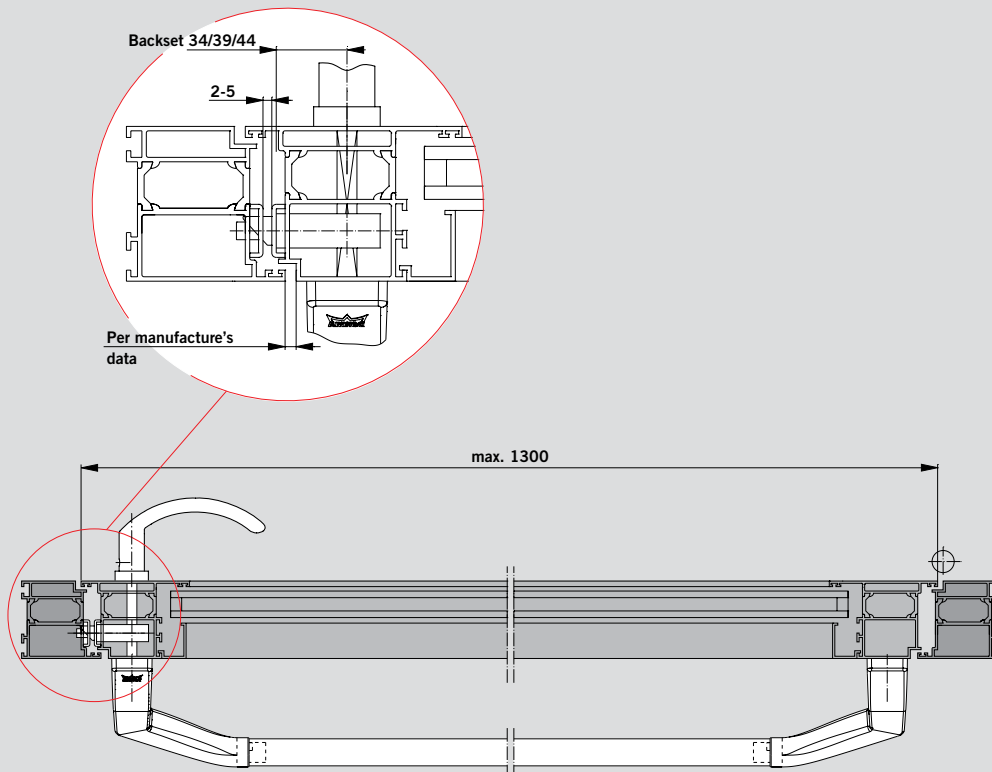
For panic exit devices according to EN 1125 a floor keep is necessary (see page 28)

Vertical locking with electric strike at the active and inactive door, steel door



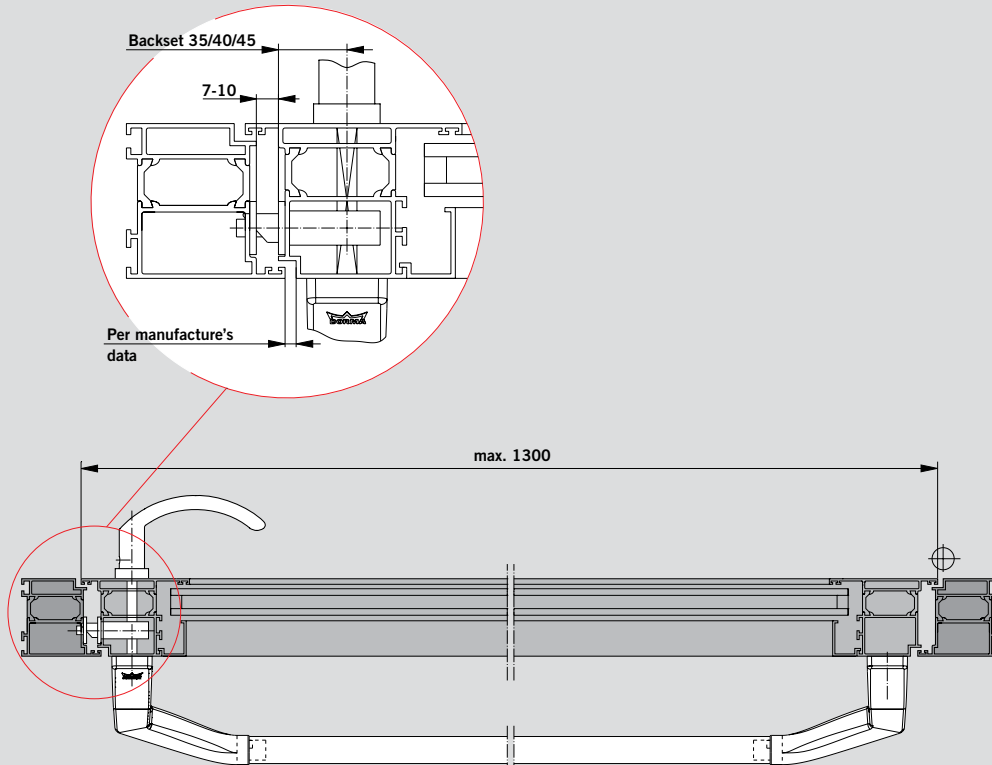
For panic exit devices according to EN 1125 a floor keep is necessary (see page 28)

U-forend, single-leaf aluminium door



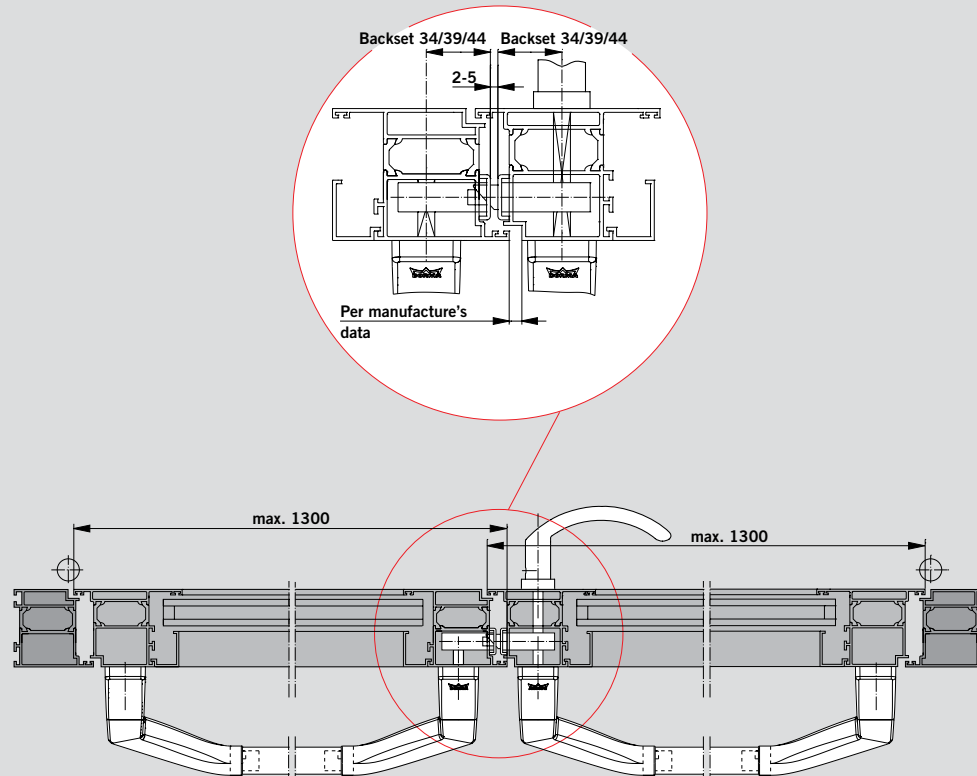
Note advisory on page 28

Latch/bolt 5 mm protruding, single-leaf aluminium door



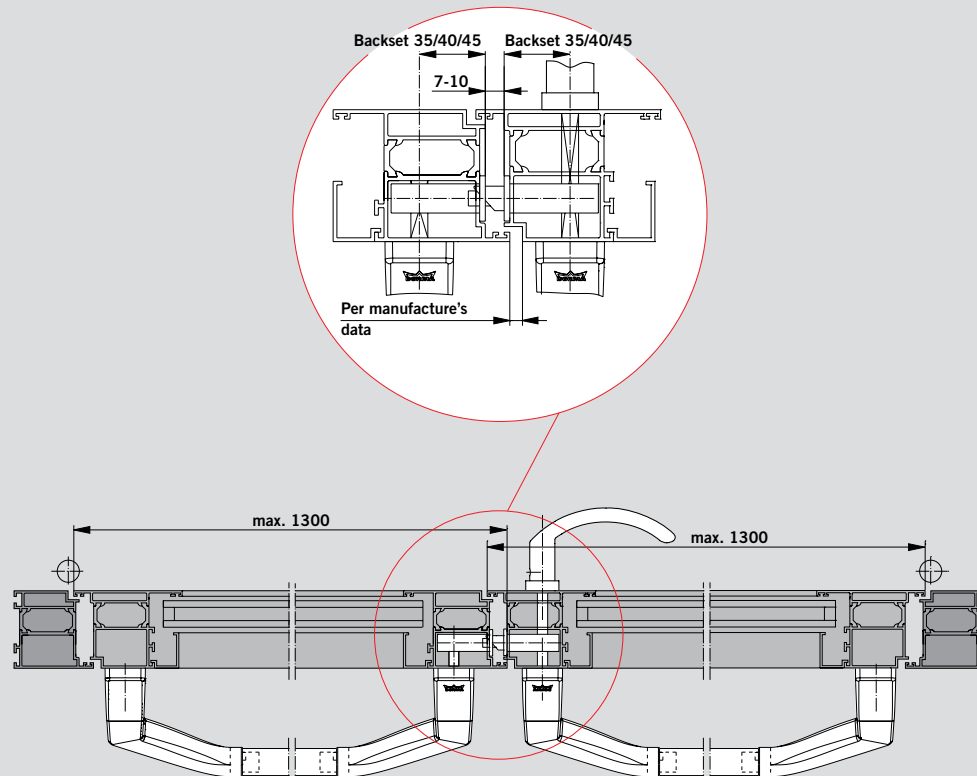
Note advisory on page 28

U-forend, double-leaf aluminium door



For panic exit devices according to EN 1125 a floor keep is necessary (see page 24)

Latch/bolt 5 mm protruding, double-leaf aluminium door



For panic exit devices according to EN 1125 a floor keep is necessary (see page 24)

Specification text

PHA 2500, single-leaf

Panic exit device with 20 mm bolt projection, compliant with EN 1125, for single-leaf narrow-stile doors, door widths up to 1300 mm, door height up to 2500 mm, door weight up to 250 kg, projection from face per category 2 \leq 100 mm, nip-free design, no visible fixing screws.


With narrow stile lock, backset of 35/40/45 mm and

- Mode of operation B / Change-over function
- Mode of operation D / Transit function
- Mode of operation E / Transmission function

Prepared for installation of an electronic cylinder (Europrofile cylinder). Electrical unlocking via DORMA Smoke or Fire 447 electric strikes. Power supply by others.

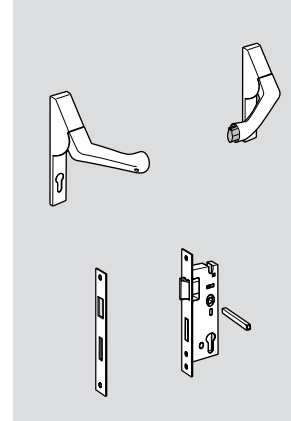
All products of the PHA 2500 series carry the **CE** mark.

- Silver
- Mock stainless steel
- Special colour

Order No. 35014 .. 

..2551xx01

..2551xx04

..2551xx09  PHA 2500**PHA 2500 TRS, single-leaf**

Panic exit device with 20 mm bolt projection, compliant with EN 1125, for single-leaf narrow-stile doors, door widths up to 1300 mm, door height up to 2500 mm, door weight up to 250 kg, projection from face per category 2 \leq 100 mm, nip-free design, no visible fixing screws.

With narrow stile lock, backset of 35/40/45 mm and

- Mode of operation B / Change-over function
- Mode of operation D / Transit function
- Mode of operation E / Transmission function incl. snap lock.

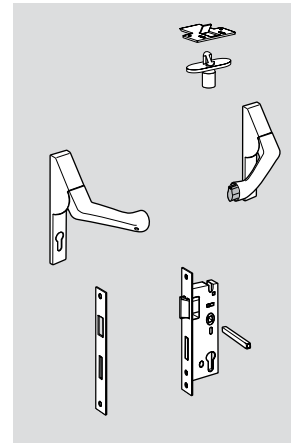
Prepared for installation of an electronic cylinder (Europrofile cylinder). Electrical unlocking via DORMA Smoke or Fire 447 electric strikes. Power supply by others.

All products of the PHA 2500 series carry the **CE** mark.

- Silver
- Mock stainless steel
- Special colour

..2551xx01

..2551xx04

..2551xx09  PHA 2500**PHA 2105 Connecting rod**

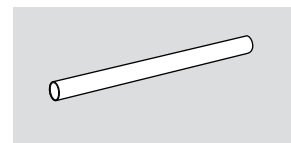
for PHA 2500, door widths up to 1300 mm

- Silver
- Mock stainless steel
- Special colour

..21050001

..21050004

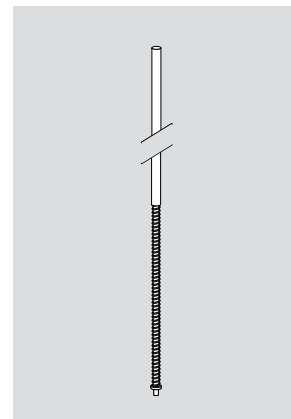
..21050009

**PHA 2140 Locking rod at the top**

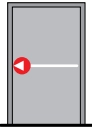
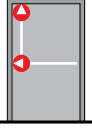
for PHA 2500 TRS

Tube \varnothing 10 mm, for door heights up to 2500 mm

..25150000



xx = Variant lock function

Product	Handing	Backset	Lock function	Order-No. 35014 ..
PHA 2500 single-leaf 1-point-locking 	L	35	D Transit	.. 255101xx
			E Transmission	.. 255102xx
			B Change-over	.. 255103xx
		40	D Transit	.. 255104xx
			E Transmission	.. 255105xx
			B Change-over	.. 255106xx
		45	D Transit	.. 255107xx
			E Transmission	.. 255108xx
			B Change-over	.. 255109xx
	R	35	D Transit	.. 255110xx
			E Transmission	.. 255111xx
			B Change-over	.. 255112xx
		40	D Transit	.. 255113xx
			E Transmission	.. 255114xx
			B Change-over	.. 255115xx
45		D Transit	.. 255116xx	
		E Transmission	.. 255117xx	
		B Change-over	.. 255118xx	
PHA 2500 TRS single-leaf 2-point-locking 	L	35	D Transit	.. 255119xx
			E Transmission	.. 255120xx
			B Change-over	.. 255121xx
		40	D Transit	.. 255122xx
			E Transmission	.. 255123xx
			B Change-over	.. 255124xx
		45	D Transit	.. 255125xx
			E Transmission	.. 255126xx
			B Change-over	.. 255127xx
	R	35	D Transit	.. 255128xx
			E Transmission	.. 255129xx
			B Change-over	.. 255130xx
		40	D Transit	.. 255131xx
			E Transmission	.. 255132xx
			B Change-over	.. 255133xx
		45	D Transit	.. 255134xx
			E Transmission	.. 255135xx
			B Change-over	.. 255136xx

Locks with controlled latch retainer in conjunction with lock function E (Transmission) on request.
 For description of lock functions see pages 32, 33.

xx = Colour
 01 = Silver
 04 = Mock stainless steel
 09 = Special colour

Lever handle spindles: Note advisory on page 34.

Specification text

PHA 2500, double-leaf

Panic exit device with 20 mm bolt projection, compliant with EN 1125, for double-leaf narrow-stile doors, door widths up to 1300 mm, door height up to 2500 mm, door weight up to 250 kg, projection from face per category 2 \leq 100 mm, nip-free design, no visible fixing screws.

With narrow stile lock at the active-leaf, backset of 35/40/45 mm and

- Mode of operation B / Change-over function
- Mode of operation D / Transit function
- Mode of operation E / Transmission function

Prepared for installation of an electronic cylinder (Europrofile cylinder).

Inactive leaf with locking rod at the top and lock case, backset of 35/40/45 mm, incl. switching lock and rod guide.

All products of the PHA 2500 series carry the **CE** mark.

PHA 2510, active-leaf

- Silver
- Mock stainless steel
- Special colour

..2552xx01

..2552xx04

..2552xx09  PHA 2500

PHA 2520, inactive-leaf

- Silver
- Mock stainless steel
- Special colour

..2554xx01

..2554xx04

..2554xx09  PHA 2500

PHA 2500 TRS, double-leaf

Panic exit device with 20 mm bolt projection, compliant with EN 1125, for double-leaf narrow-stile doors, door widths up to 1300 mm, door height up to 2500 mm, door weight up to 250 kg, projection from face per category 2 \leq 100 mm, nip-free design, no visible fixing screws.

Active leaf with locking rod at the top and narrow stile lock, backset of 35/40/45 mm and

- Mode of operation B / Change-over function
- Mode of operation D / Transit function
- Mode of operation E / Transmission function

Prepared for installation of an electronic cylinder (Europrofile cylinder).

Inactive leaf with locking rod at the top and lock case with traction lock, backset of 35/40/45 mm, incl. switching lock and rod guide.

All products of the PHA 2500 series carry the **CE** mark.

PHA 2510 TRS, active-leaf

- Silver
- Mock stainless steel
- Special colour

..2552xx01

..2552xx04

..2552xx09  PHA 2500

PHA 2520 TRS, inactive-leaf


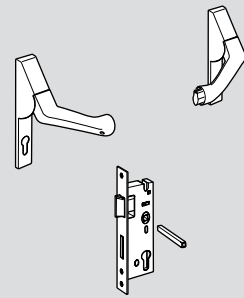
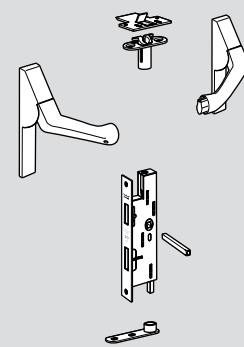
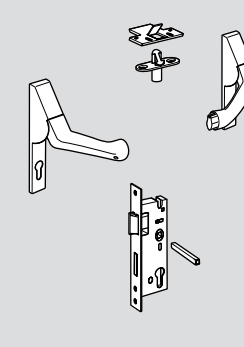
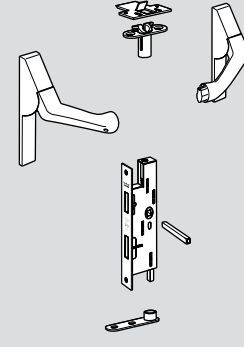
- Silver
- Mock stainless steel
- Special colour

..2554xx01

..2554xx04

..2554xx09  PHA 2500

xx = Variant lock function

Order No. 35014 .. **PHA 2510****PHA 2520 TRS****PHA 2510 TRS****PHA 2520 TRS**

Specification text

PHA 2500 with electric strike, double-leaf

Panic exit device with 20 mm bolt projection, compliant with EN 1125, for double-leaf narrow-stile doors, door widths up to 1300 mm, door height up to 2500 mm, door weight up to 250 kg, projection from face per category 2 ≤ 100 mm, nip-free design, no visible fixing screws. With narrow stile lock at the active-leaf, backset of 35/40/45 mm and

- Mode of operation B / Change-over function
- Mode of operation D / Transit function
- Mode of operation E / Transmission function

Prepared for installation of an electronic cylinder (Europrofile cylinder).

Inactive leaf with locking rod at the top and lock case with electric strike, 10-28V AC/DC, monitor contact, 10 m connection cable with plug connection, backset of 35/40/45/50/55/60/65 mm, incl. spring loaded snap lock. All products of the PHA 2500 series carry the **CE** mark.


PHA 2510, active leaf

- Silver
- Mock stainless steel

..2552xx01
..2552xx04  PHA 2500

PHA 2521 TRS, inactive leaf, forend without lap

- Silver
- Mock stainless steel

..2555xx01
..2555xx04  PHA 2500

PHA 2522 TRS, inactive leaf, forend with lap

- Silver
- Mock stainless steel

..2555xx01
..2555xx04  PHA 2500

PHA 2500 TRS with electric strike, double-leaf

Panic exit device with 20 mm bolt projection, compliant with EN 1125, for double-leaf narrow-stile doors, door widths up to 1300 mm, door height up to 2500 mm, door weight up to 250 kg, projection from face per category 2 < 100 mm, nip-free design, no visible fixing screws.

Active leaf with locking rod at the top (in combination with special strike plate 9366 or 9361 and spring loaded snap lock) and narrow stile lock, backset of 35/40/45 mm and


- Mode of operation B / Change-over function
- Mode of operation D / Transit function
- Mode of operation E / Transmission function

Prepared for installation of an electronic cylinder (Europrofile cylinder).

Inactive leaf with locking rod at the top and lock case with electric strike, 10-28V AC/DC, monitor contact, 10 m connection cable with plug connection, backset of 35/40/45/50/55/60/65 mm, incl. spring loaded snap lock. All products of the PHA 2500 series carry the **CE** mark.

PHA 2510 TRS, active leaf

- Silver
- Mock stainless steel

..2552xx01
..2552xx04  PHA 2500


PHA 2521 TRS, inactive leaf, forend without lap

- Silver
- Mock stainless steel

..2555xx01
..2555xx04  PHA 2500

PHA 2522 TRS, inactive leaf, forend with lap

- Silver
- Mock stainless steel

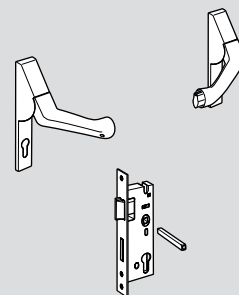
..2555xx01
..2555xx04  PHA 2500

xx = Variant lock function/
Forend

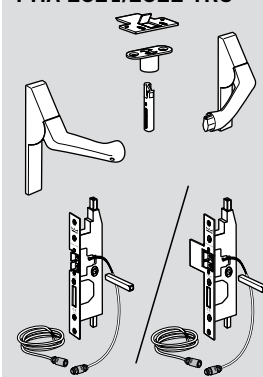
Order No. 35014 ..



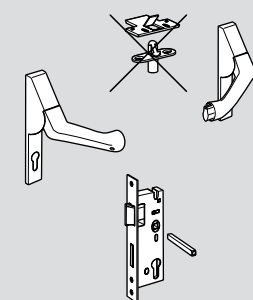
PHA 2510



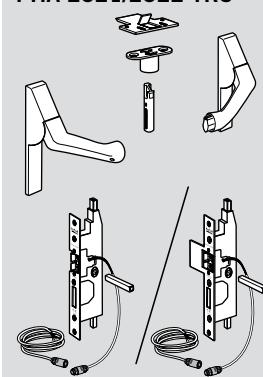
PHA 2521/2522 TRS



PHA 2510 TRS



PHA 2521/2522 TRS



Specification text

Order No. 35014 .. **PHA 2105 Connecting rod**

for PHA 2510 and PHA 2520, for door widths up to 1300 mm

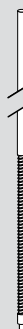
- Silver ..21050001
- Mock stainless steel ..21050004
- Special colour ..21050009

**PHA 2140 TRS locking rod at the top**

for PHA 2510 TRS (active-leaf)

and PHA 2520 TRS (inactive-leaf)

Tube Ø 10 mm, for door heights up to 2500 mm ..25150000

**PHA 2195 TRB locking rod at the bottom**

for PHA 2520 TRS (inactive-leaf)

Solid bar Ø 10 mm, lever handle heights 1050 mm ..21950000

**PHA 2122 Floor keep**

for locking of the PHA 2195 TRB at the inactive leaf.

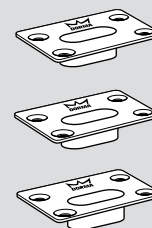
Required for panic exit devices to EN 1125.

Model:

PHA 2122-0 (0 mm) ..21220000

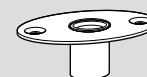
PHA 2122-1 (-2 mm) ..21222000


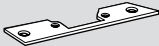

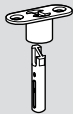

PHA 2122-4 (-4 mm) ..21224000

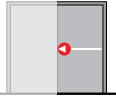
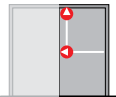
**PHA 2121 Adjustable floor keep**

for locking of the PHA 2195 TRB at the inactive leaf.

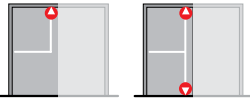
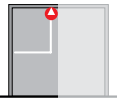

Required for panic exit devices to EN 1125. ..21210000



Specification text	Order No. 35014 .. 	
<p>PHA 9361 Strike plate for electric strike in conjunction with PHA 2510 TRS (active leaf)</p>	..93610000	
<p>PHA 9366 strike plate with lap for electric strike in conjunction with PHA 2510 TRS (active leaf)</p>	..93660000	
<p>PHA 9834 Spring loaded snap lock in conjunction with PHA 2510 TRS (active leaf) and 9361/9366</p>	..98340000	
<p>PHA 9835 switching lock with rod guide and slide plug Forend 24mm</p>	..98350000	

Product	Handing	Backset	Lock function	Order No. 35014 ..
PHA 2510 double-leaf, active-leaf, 1-point locking 	L	35	D Transit	.. 255201xx
			E Transmission	.. 255202xx
			B Change-over	.. 255203xx
		40	D Transit	.. 255204xx
			E Transmission	.. 255205xx
			B Change-over	.. 255206xx
		45	D Transit	.. 255207xx
			E Transmission	.. 255208xx
			B Change-over	.. 255209xx
	R	35	D Transit	.. 255210xx
			E Transmission	.. 255211xx
			B Change-over	.. 255212xx
		40	D Transit	.. 255213xx
			E Transmission	.. 255214xx
			B Change-over	.. 255215xx
		45	D Transit	.. 255216xx
			E Transmission	.. 255217xx
			B Change-over	.. 255218xx
PHA 2510 TRS double-leaf, active-leaf, 2-point locking 	L	35	D Transit	.. 255219xx
			E Transmission	.. 255220xx
			B Change-over	.. 255221xx
		40	D Transit	.. 255222xx
			E Transmission	.. 255223xx
			B Change-over	.. 255224xx
		45	D Transit	.. 255225xx
			E Transmission	.. 255226xx
			B Change-over	.. 255227xx
	R	35	D Transit	.. 255228xx
			E Transmission	.. 255229xx
			B Change-over	.. 255230xx
		40	D Transit	.. 255231xx
			E Transmission	.. 255232xx
			B Change-over	.. 255233xx
		45	D Transit	.. 255234xx
			E Transmission	.. 255235xx
			B Change-over	.. 255236xx

xx = Colour
01 = Silver
04 = Mock stainless steel
09 = Special colour

Product	Handing	Backset	Lock function	Order No. 35014 ..
PHA 2520 TRS double-leaf, inactive-leaf, 1- and 2-point locking 	L/R	35	–	.. 255419xx
		40	–	.. 255420xx
		45	–	.. 255421xx
PHA 2521 TRS double-leaf, inactive-leaf, 1-point locking, forend without lap 	L	35	–	.. 255514xx
		40	–	.. 255518xx
		45	–	.. 255522xx
		50	–	.. 255526xx
		55	–	.. 255507xx
		60	–	.. 255508xx
		65	–	.. 255509xx
	R	35	–	.. 255513xx
		40	–	.. 255517xx
		45	–	.. 255521xx
		50	–	.. 255525xx
		55	–	.. 255510xx
		60	–	.. 255511xx
		65	–	.. 255512xx
PHA 2522 TRS double-leaf, inactive-leaf, 1-point locking, forend with lap 	L	35	–	.. 255516xx
		40	–	.. 255520xx
		45	–	.. 255524xx
		50	–	.. 255528xx
		55	–	.. 255501xx
		60	–	.. 255502xx
		65	–	.. 255503xx
	R	35	–	.. 255515xx
		40	–	.. 255519xx
		45	–	.. 255523xx
		50	–	.. 255527xx
		55	–	.. 255504xx
		60	–	.. 255505xx
		65	–	.. 255506xx

Locks with controlled latch retainer in conjunction with lock function E (Transmission) on request.
 For description of lock functions see pages 32, 33.

xx = Colour
 01 = Silver
 04 = Mock stainless steel

Lever handle spindles: Note advisory on page 34

Lock functions					
	Basic setting	Inner face	Outer face	Return to basic setting following passage from	
				inside	outside
F Transmission function	Locked				
	Not locked				
 Controlled Latch Retainer	Not locked latch hold inside the lock case				
D Transit function	Locked				
	Not locked				
B Change-over function	Locked				
	Not locked Lever handle not engaged				

Transmission function E

For doors in which unauthorised opening from the outside must be reliably prevented. Opening of the door from the inside (danger side) is always possible.

In the event of a panic situation, the latch and the engaged bolt are retracted simultaneously by actuating the exit device from the inside. The bolt remains withdrawn and can be locked again using the key.

On the outside is a fixed dead knob. The door can be unlocked and the latch retracted using the key. Locking is always performed with the key.

Controlled Latch Retainer (Option)

For doors in which passage from the outside is always necessary. The latch is retracted with the key.

In this position the latch retainer can be pushed up. The latch is now held inside the lock case. The retracted latch is released by projecting the dead bolt.

Not permitted for fire- and smoke control doors.

Transit function D

For doors in which passage from the outside may occasionally be necessary. Opening of the door from the inside (danger side) is always possible. Following panic activation, access from the outside is also automatically enabled.

In the event of a panic situation, the latch and the engaged bolt are retracted simultaneously by actuating the exit device from the inside. After panic unlocking, the bolt remains withdrawn and can be locked again with the key.

A lever handle is fitted to the outside face. The door can be unlocked and the latch retracted using the lever handle.

Change-over function B

For doors in which passage from the outside may occasionally be necessary. The lever handle on the outside face may be engaged and disengaged. Opening of the door from the inside (danger side) is always possible.

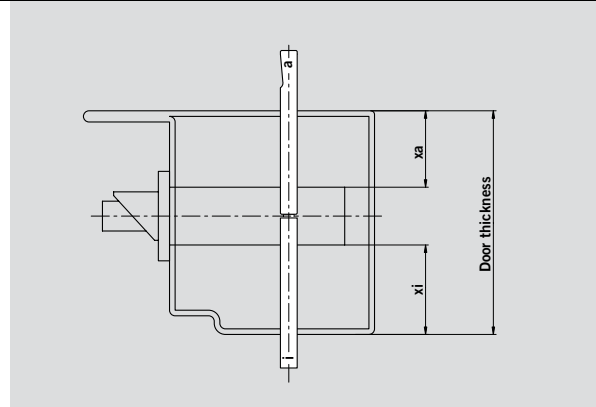
In the event of a panic situation, the latch and the engaged bolt are retracted simultaneously by actuating the exit device from the inside. After panic unlocking, the bolt remains withdrawn and can be locked again with the key.

A lever handle is fitted to the outside face. The key can be used to retract the lock and engage the lever handle which can then be used to retract the latch. The lever handle remains engaged until the key is used to re-lock the door.

Lever handle spindles

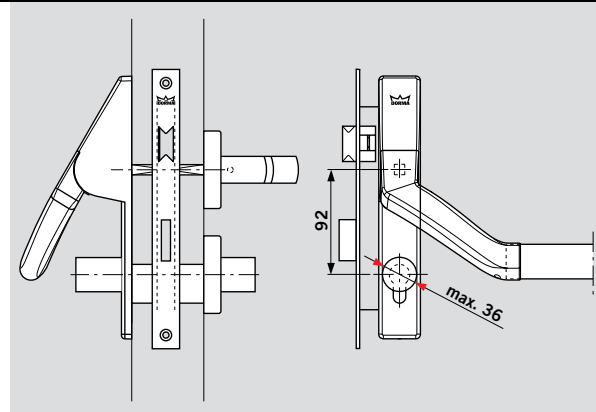
The lever handle spindles included in the scope of supply of the PHA 2500 system are designed for door thicknesses of 50 – 60 mm or 60 – 70 mm. In the case of locks with functions D and B (split follower), a central lock fit is necessary for these lever handle spindles. In the case of door leaf

thicknesses outside the given ranges and/or an asymmetric lock fit, the corresponding lever handle spindle will need to be separately ordered. Please ensure that all the relevant drawing dimensions are indicated.



PHA 2500 with an electronic knob cylinder

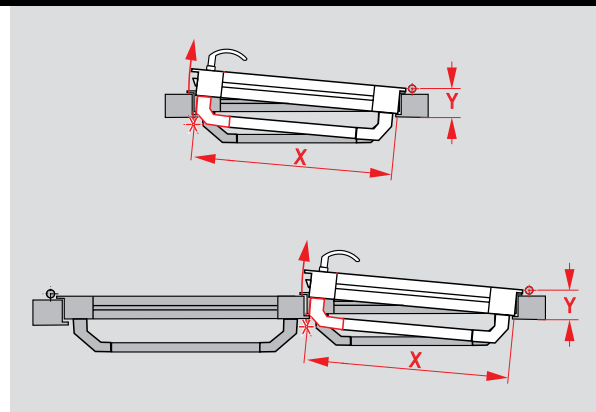
Use of an electronic knob cylinder according to certificate of conformity 0432-BPR-0066 DORMA PHA 2500.



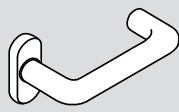
Door situation

It may be the case that the panic fitting cannot be installed on extreme door situations according to standard measurements (door width X smaller than

1000 mm in connection with the distance of the hinge Y bigger than 90 mm). On request DORMA will gladly give you installation suggestions.



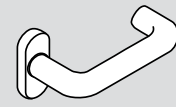
Lever handle fittings for



8100 FS



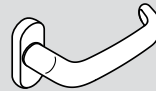
8140 FS



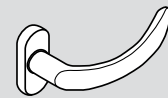
8350 FS



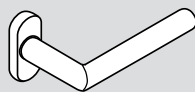
8526 FS



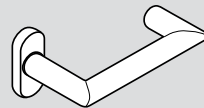
8527 FS



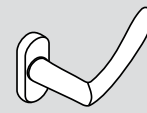
8830 FS



8906 FS



8907 FS



8940 FS



8972 FS



8998 FS



8999 FS

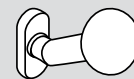
Knobs for



3020 FS



3548 FS



3548 V FS

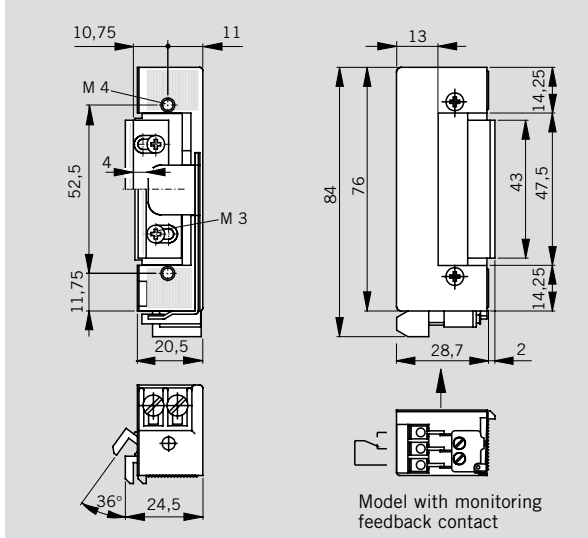
For further lever handle fittings please refer to DORMA Premium brochure

Lever handles with narrow roses for use on narrow stile doors according to EN 1906, DIN 18273 and EN 1634-1 (for fire and smoke control doors).

For the combination with PHA 2500 system the 9 mm lever handle spindle has to be used.



Series Smoke



Specification text

DORMA Smoke safety electric strike for installation on smoke control doors, with adjustable latch, for over-rebated and flush-closing meeting stiles, non-handed.

Fail-secure

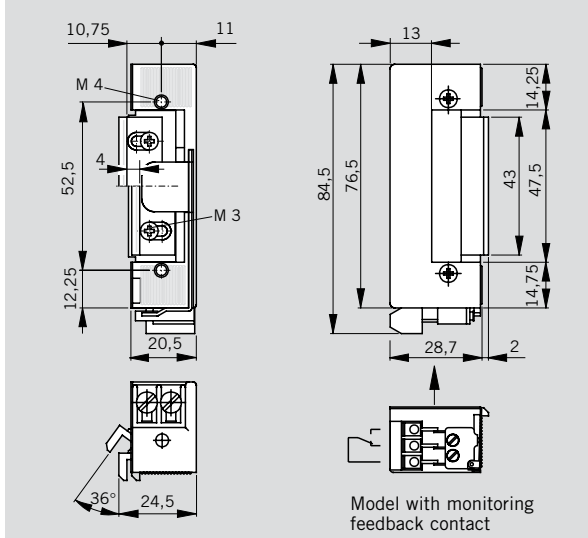
- 6–12 V AC/DC
- 12 V AC
- 12 V DC
- 24 V DC

- With status monitoring feedback



For detailed information see DORMA Electric Strikes brochure

Series Fire 447



Specification text

DORMA Fire 447 safety electric strike for installation in any position on fire and smoke control doors, with adjustable latch, for over-rebated and flush-closing meeting stiles, non-handed.

Fail-secure

- 6–12 V AC/DC
- 12 V AC
- 12 V DC
- 24 V DC

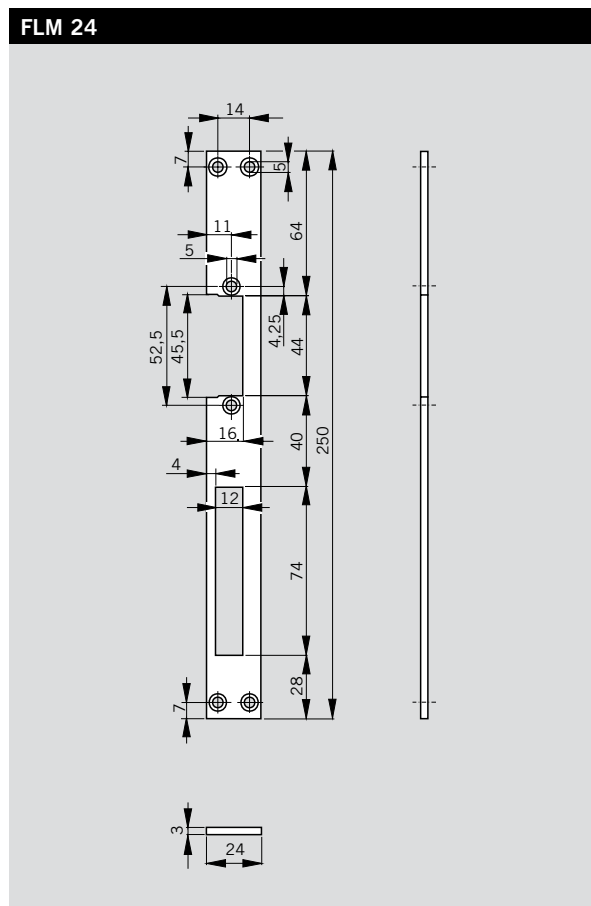
- With status monitoring feedback



For detailed information see DORMA Electric Strikes brochure

Series	Voltage	Unlocking function (E)	Holding function (A)	Monitor contact	Typ (RR)	Order No.	
Smoke	6-12 V AC/DC					15117006	
				●	RR	15117906	
	12 V AC					15117011	
				●	RR	15117911	
	12 V DC 100% ED					15117012	
				●	RR	15117912	
Fire 447	24 V DC 100% ED					15117024	
				●	RR	15117924	
	Fail-secure	6-12 V AC/DC					15147106
					●	RR	15147506
		12 V AC					15147111
					●	RR	15147511
12 V DC 100% ED					15147112		
			●	RR	15147512		

Contact rating: max. 48 V, 5 A
(RR model)



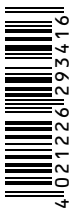
Flat strike plate of stainless steel, non-handed, for combination with DORMA electric strikes, Series Smoke, Fire 447 and Fire 442.

Order No. 15180224



www.dormakaba.ru

ООО "дормакаба Евразия"
Россия, 117036, Москва
ул. Дмитрия Ульянова, 7а
Т: 8-800-250-15-76
www.dormakaba.ru



Door Control



Automatic



**Glass fittings
and Accessories**



**Security Time
and Access (STA)**



Movable Walls